



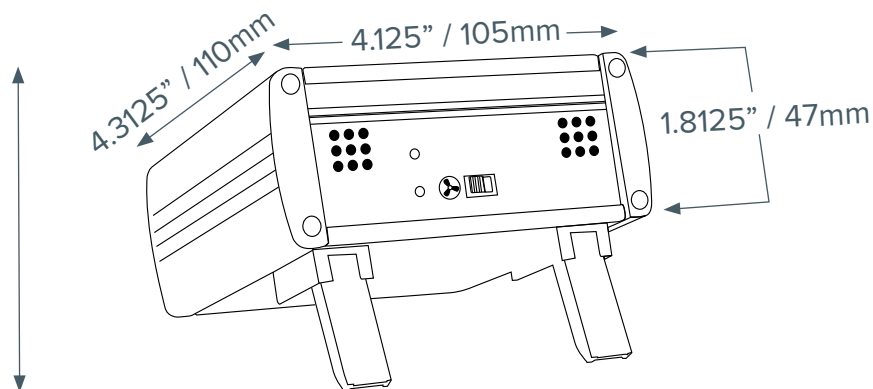
Static charge that accumulates on certain materials can wreak havoc with sensitive electronic instruments, including scales and balances. Adam Equipment's ionizer addresses the issue of excess static electricity, increasing accuracy and helping to maintain sample integrity. The Adam ionizer neutralizes the static charge that accumulates in non-conductive materials such as plastic, glass, ceramics, paper and textiles. When these materials encounter friction, heat or pressure, static electricity can build up, especially in low-humidity environments. Lightweight and easily movable, the ionizer can be positioned conveniently beside the weighing instrument, or it can be manually directed at a particular item to be weighed.

Neutralizes static electricity to improve weighing accuracy and boost efficiency



Features

- Discharge time: 9s/5cm, 13s/10cm, 100s/40cm (with fan on)
- Standard distance from sample to ion source about 5-40cm
- At a distance of 2cm from ion source, ozone concentration is 0-0.05 ppm
- Maximum air volume 0.06 cm³/min
- For indoor use only
- AC adapter included



3.25" / 83mm
(Top to extended legs)

About ADAM:

For more than 40 years, professionals worldwide have relied on Adam Equipment for an extensive selection of dependable and affordable weighing equipment. Adam provides the right balance of speed, performance and value.