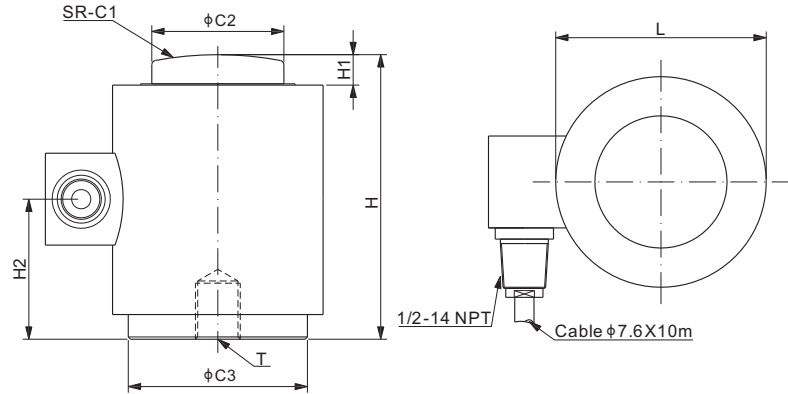


# 106CS; 106CS20



## Stainless Steel



CE RoHS

### DIMENSIONS

RATED CAPACITY	C1	C2	C3	H	H1	H2	L	T
<b>Klb/inches</b>								
25-50	6.00	1.25	2.44	3.25	0.39	1.68	2.76	1/2-20 UNF-2B Depth0.63
100	6.00	2.32	3.15	5.00	0.51	2.46	3.70	3/4-16 UNF-2B Depth0.98
200	17.00	3.13	5.28	7.25	1.04	3.28	5.91	3/4-16 UNF-2B Depth0.98
<b>t/mm</b>								
10-25	152.4	31.8	62.0	82.6	9.8	42.7	70.0	M12×1.75-6H Depth16
40-50	152.4	59.0	80.0	127.0	13.0	62.5	94.0	M20×2.50-6H Depth25
100	431.8	79.5	134.2	184.2	26.4	83.3	150.0	M20×2.50-6H Depth25

### SPECIFICATIONS

<b>Full Scale Output</b>	106CS: 1.75 mV/V ± 0.25% 106CS20: 2.0 mV/V ± 0.25%	<b>Recommended Excitation</b>	10V (15V Maximum)
<b>Zero Balance</b>	± 0.02 mV/V	<b>Insulation Resistance</b>	>2 [ 50V DC ] GΩ
<b>Non-linearity</b>	< ± 0.023%	<b>Compensated Temperature Range</b>	-10°C to 50°C / 14°F to 122°F
<b>Repeatability</b>	< ± 0.030%	<b>Safe Overload</b>	150% of full scale
<b>Hysteresis Error</b>	< ± 0.030%	<b>Breaking Overload</b>	300% of full scale
<b>Creep in 30 min.</b>	< ± 0.030%	<b>Seal Type / IP Rating</b>	Welded Seal / IP68
<b>Input Resistance</b>	450Ω ± 4.5	<b>Cable Color Code</b>	Exc+ Red      Exc- Black Sig+ Green    Sig- White Shield Bare
<b>Output Resistance</b>	480Ω ± 4.5		
<b>Element Material</b>	2Cr13 Stainless Steel		

### PART NUMBER

Rated Capacity	Part No.	Weight (kg) Approx.
10t	106CS-10t-YZ	2.9
	106CS20-10t-YZ	2.9
15t	106CS-15t-YZ	2.9
	106CS20-15t-YZ	2.9
25t	106CS-25t-YZ	2.9
	106CS20-25t-YZ	2.9
40t	106CS-40t-YZ	6.0
	106CS20-40t-YZ	6.0
50t	106CS-50t-YZ	6.0
	106CS20-50t-YZ	6.0
100t	106CS-100t-YZ	12.5
	106CS20-100t-YZ	12.5
25Klb	106CS-25Klb-YZ	2.9
	106CS20-25Klb-YZ	2.9
50Klb	106CS-50Klb-YZ	2.9
	106CS20-50Klb-YZ	2.9
100Klb	106CS-100Klb-YZ	6.0
	106CS20-100Klb-YZ	6.0
200Klb	106CS-200Klb-YZ	12.5
	106CS20-200Klb-YZ	12.5

### INTERCHANGEABLE PRODUCTS

Manufacturer	Model
<b>106CS</b>	
Cardinal	CP1
Coti Global	CG-175
Vishay Revere Transducers	CP
Vishay Revere Transducers	392B
<b>106CS20</b>	
Coti Global	CG-26S5
Rice Lake	RLCSP1
Vishay Revere Transducers	CSP
Vishay Revere Transducers	692B