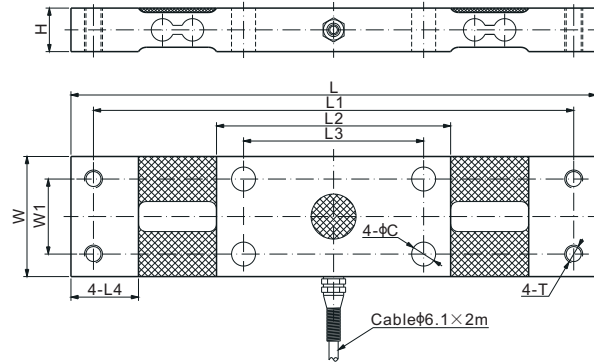


# 102HA



## Aluminum



DOUBLE ENDED BEAMS

### DIMENSIONS

RATED CAPACITY	C	H	L	L1	L2	L3	L4	W	W1	T
<b>kg/mm</b>										
500	16	29	350	320	156	120	45	80	50	M12
1,000	16	35	350	320	156	120	45	80	50	M12
<b>Klb/inches</b> (conversion of above dimensions)										
1.1	0.6	1.1	13.8	12.6	6.1	4.7	1.8	3.1	2.0	M12
2.2	0.6	1.4	13.8	12.6	6.1	4.7	1.8	3.1	2.0	M12

### SPECIFICATIONS

Full Scale Output	1.3 mV/V ± 0.1%	Recommended Excitation	10V (15V Maximum)
Zero Balance	± 0.02 mV/V	Insulation Resistance	>2 [ 50V DC ] GΩ
Non-linearity	< ± 0.030%	Compensated Temperature Range	-10°C to 40°C / 14°F to 105°F
Repeatability	< ± 0.017%	Safe Overload	150% of full scale
Hysteresis Error	< ± 0.017%	Breaking Overload	300% of full scale
Creep in 30 min.	< ± 0.030%	Seal Type / IP Rating	Environmentally Sealed / IP66
Input Resistance	800 Ω ± 20	Cable Color Code	Exc+ Red      Exc- Black
Output Resistance	700 Ω ± 5		Sig+ Green    Sig- White
Element Material	Aluminum		Shield Bare

### PART NUMBER

Rated Capacity	Part No.	Shipping Weight (kg) Approx.
500kg.....	102HA-500kg.....	1.9
1t.....	102HA-1t.....	2.3