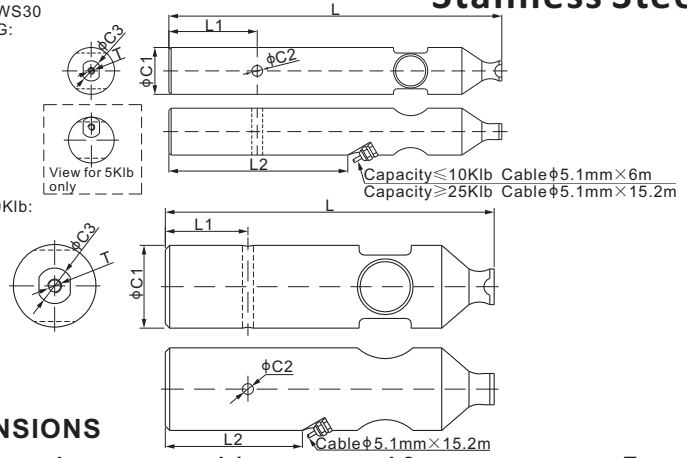
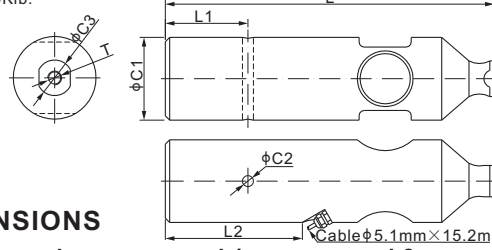


563WS; 563WS30  
563WS30-CG:



563WS30-50Klb:



### DIMENSIONS

RATED CAPACITY	C1	C2	C3	L	L1	L2	T
<b>563WS:</b>							
<b>lb/inches</b>							
1,250	1.25	0.31	0.63	11.50	3.00	6.04	#8-32
2,500	1.62	0.37	0.70	11.50	3.00	5.59	#6-32
5,000	2.00	0.37	0.88	10.88	3.05	3.83	#8-32
10,000	2.50	0.37	0.88	12.63	3.05	4.20	#8-32
25,000	3.50	0.50	1.75	14.88	3.05	5.04	5/16-18 UNC-2B
<b>kg/mm (conversion of above dimensions)</b>							
567	31.8	7.9	16.0	292.1	76.2	153.50	#8-32
1,134	41.1	9.4	17.8	292.1	76.2	142.00	#6-32
2,268	50.8	9.4	22.4	276.4	77.5	97.40	#8-32
4,535.9	63.5	9.4	22.4	320.8	77.5	106.90	#8-32
11,339.8	88.9	12.7	44.5	378.0	77.5	128.00	5/16-18 UNC-2B
<b>563WS30:</b>							
<b>lb/inches</b>							
37,500	3.50	0.50	1.75	14.88	3.05	5.04	5/16-18 UNC-2B
50,000	3.74	0.50	1.61	14.88	3.74	7.05	5/8-16 UNC-2B
<b>kg/mm (conversion of above dimensions)</b>							
17,009.7	88.9	12.7	44.5	378.0	77.5	128.00	5/16-18 UNC-2B
22,679.6	95.0	12.7	40.9	378.0	95.0	179.00	5/8-16 UNC-2B
<b>563WS-CG:</b>							
<b>lb/inches</b>							
25,000	3.50	0.50	1.76	14.88	3.66	7.64	5/16-18 UNC-2B
<b>kg/mm (conversion of above dimensions)</b>							
11,339.8	88.8	12.7	44.7	378.0	93.05	194	5/16-18 UNC-2B
<b>563WS30-CG:</b>							
<b>lb/inches</b>							
37,500	3.50	0.50	1.76	14.88	3.66	7.64	5/16-18 UNC-2B
<b>kg/mm (conversion of above dimensions)</b>							
17,009.7	88.8	12.7	44.7	378.0	93.05	194	5/16-18 UNC-2B

### SPECIFICATIONS

<b>Full Scale Output</b>	563WS: 2.0 mV/V ± 1%	<b>Recommended Excitation</b>	10V (15V Maximum)
	563WS30: 3.0 mV/V ± 1%		<b>Insulation Resistance</b>
<b>Zero Balance</b>	± 0.02 mV/V	<b>Compensated Temperature Range</b>	-10°C to 50°C / 14°F to 122°F
<b>Non-linearity</b>	< ± 0.023%	<b>Safe Overload</b>	150% of full scale
<b>Repeatability</b>	< ± 0.023%	<b>Breaking Overload</b>	300% of full scale
<b>Hysteresis Error</b>	< ± 0.023%	<b>Seal Type / IP Rating</b>	Environmentally Sealed / IP67
<b>Creep in 30 min.</b>	< ± 0.030%	<b>Cable Color Code</b>	Exc+ Red      Exc- Black
<b>Input Resistance</b>	350 Ω ± 7		Sig+ Green    Sig- White
<b>Output Resistance</b>	350 Ω ± 3		Shield Bare
<b>Element Material</b>	2Cr13 Stainless Steel		

Rated Capacity	Part Number	Weight (kg) Approx.	INTERCHANGEABLE PRODUCTS			
			Avery Weigh-Tronix	Coti-Global	Rice Lake	Rice Lake
1.25Klb	563WS-1.25Klb-YZ-WBL	2.2	WBL-1.25K	CG-WB-SS-1.25Klb	RL75000 SS-1.25Klb	RL32011WB-L-1.25Klb
2.5Klb	563WS-2.5Klb-YZ	3.0	Weigh Bar	CG-WB-SS-2.5Klb	RL75000 SS-2.5Klb	RL32011WB-L-2.5Klb
5Klb	563WS-5Klb-YZ	6.0	Weigh Bar	CG-WB-SS-5Klb	RL75000 SS-5Klb	RL32011WB-L-5Klb
10Klb	563WS-10Klb-YZ	7.0	Weigh Bar	CG-WB-SS-10Klb		RL32011WB-L-10Klb
25Klb	563WS-25Klb-YZ	15.5	Weigh Bar			
25Klb	563WS-25Klb-YZ-CG	15.5	Weigh Bar	CG-WB-SS-25Klb		
37.5Klb	563WS30-37.5Klb-YZ-CG	18.5	Weigh Bar	CG-WB-SS-37.5Klb		
37.5Klb	563WS30-37.5Klb-YZ	18.5	Weigh Bar			
50Klb	563WS30-50Klb-YZ	21.0	Weigh Bar	CG-WB-SS-50Klb-50104		