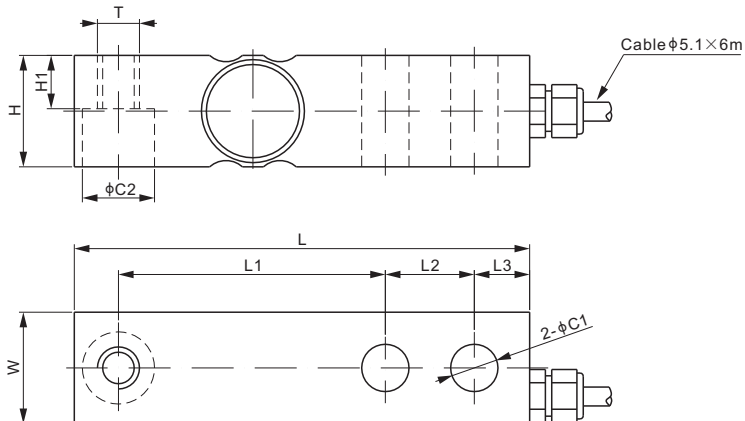


# 563YA



## Aluminum



SINGLE ENDED BEAMS



### DIMENSIONS

RATED CAPACITY	C1	C2	H	H1	L	L1	L2	L3	T	W
<b>lb/inches</b>										
200; 300	0.53	0.81	1.25	0.60	5.12	3.00	1.00	0.62	1/2-20 UNF-2B	1.25
<b>kg/mm</b> (conversion of above dimensions)										
90.7; 136.1	13.5	20.6	31.8	15.2	130	76.2	25.4	15.8	1/2-20 UNF-2B	31.8

### SPECIFICATIONS

<b>Full Scale Output</b>	3.0 mV/V ± 0.25%	<b>Recommended Excitation</b>	10V (15V Maximum)
<b>Zero Balance</b>	± 0.02 mV/V	<b>Insulation Resistance</b>	>2 [ 50V DC ] GΩ
<b>Non-linearity</b>	< ± 0.017%	<b>Nominal Temperature Range</b>	-10°C to 40°C / 14°F to 104°F
<b>Repeatability</b>	< ± 0.017%	<b>Safe Overload</b>	150% of full scale
<b>Hysteresis Error</b>	< ± 0.017%	<b>Breaking Overload</b>	300% of full scale
<b>Creep in 30 min.</b>	< ± 0.023%	<b>Seal Type / IP Rating</b>	Environmentally Sealed / IP67
<b>Input Resistance</b>	350 Ω ± 7	<b>Cable Color Code</b>	Exc+ Red      Exc- Black
<b>Output Resistance</b>	350 Ω ± 3		Sig+ Green    Sig- White
<b>Element Material</b>	Aluminum		Shield Bare

### PART NUMBER

Rated Capacity	Part No.	Weight (kg) Approx.
200lb.....	563YA-200lb.....	0.6
300lb.....	563YA-300lb.....	0.6

### INTERCHANGEABLE PRODUCTS

Manufacturer	Model
Vishay Tedeo-Huntleigh .....	3310*

\* Interchangeable with Vishay Tedeo-Huntleigh 3310 imperial thread