

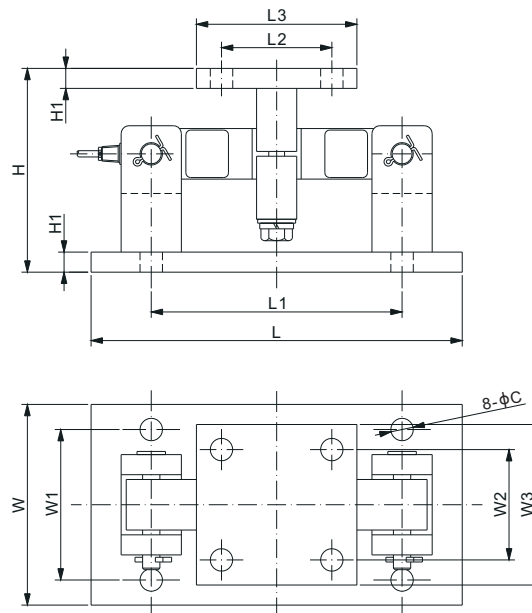
### Features:

- Assembles: 102EH double ended beam load cell
- Capacities: 1Klb-75Klb
- Self-checking with anti-lifting protection

Load Cell Certifications:



Load Cell Not Included.



### DIMENSIONS

LOAD CELL CAPACITY	C	H	H1	L	L1	L2	L3	W	W1	W2	W3
<b>Klb/inches</b>											
1-5	0.56	5.00	0.50	9.25	6.25	2.75	4.00	5.00	3.75	2.75	4.00
10-25	0.81	7.89	0.75	12.00	7.50	6.00	8.00	8.00	6.00	6.00	8.00
35	0.81	8.02	0.75	12.00	7.50	6.00	8.00	8.00	6.00	6.00	8.00
50-75	0.81	9.31	1.00	16.25	11.50	6.50	9.00	12.00	9.50	6.50	9.00
<b>kg/mm</b> (conversion of above dimensions)											
453.6-2,268	14.2	127.0	12.7	235.0	158.8	69.9	101.6	127.0	95.3	69.9	101.6
4,535.9-11,339.8	20.6	200.4	19.0	304.8	190.5	152.4	203.2	203.2	152.4	152.4	203.2
15,875.7	20.6	203.8	19.0	304.8	190.5	152.4	203.2	203.2	152.4	152.4	203.2
22,679.6-34,019.4	20.6	236.5	25.4	412.8	292.0	165.1	228.6	304.8	241.3	165.1	228.6

PART NUMBER		
Load Cell Capacity	Part No.	Weight (kg) Approx.
1Klb-5Klb	102EHM2-(1-5)Klb	7.7
10Klb-25Klb	102EHM2-(10-25)Klb	30.0
35Klb	102EHM2-35Klb	30.0
50Klb-60Klb	102EHM2-(50-60)Klb	67.5
75Klb	102EHM2-75Klb	-

INTERCHANGEABLE PRODUCTS	
Manufacturer	Model
Rice Lake	RL1600
Mettler Toledo	VLM3C
Vishay Sensortronics	65016-TWA

### AVAILABLE OPTION

- Stainless steel: 102ESM2