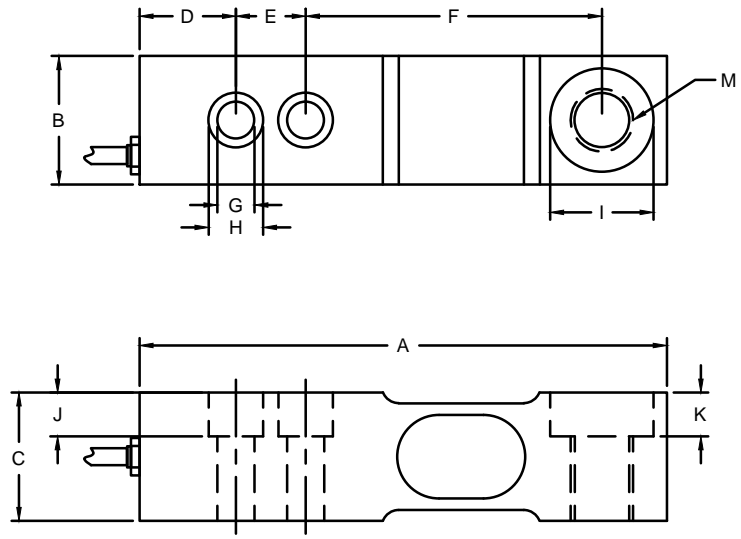


ZONE		LTR.		DESCRIPTION		DATE	ECN	BY	CKD	APVD
-	A	REDRAWN FOR LABELING CONSISTENCY		01/12/16	2016-05	TB	AB	AA		

PERFORMANCE SPECIFICATIONS:

1. CAPACITIES: 250KG, 500KG, 1250KG.
2. RATED OUTPUT: 2.00 mV/V ±0.25%.
3. SAFE OVERLOAD: 150% FS.
4. EXCITATION VOLTAGE: 10V AC/DC (15V MAX).
5. INPUT RESISTANCE: 385 ±10Ω.
6. OUTPUT RESISTANCE: 350 ±3Ω.
7. ZERO BALANCE: ±1.00% FS.
8. SEAL TYPE: ENVIRONMENTALLY-SEAL IP67.
9. NON-LINEARITY: ±0.03% FS.
10. HYSTERESIS: ±0.03% FS.
11. REPEATABILITY: ±0.01% FS.
12. CREEP: ±0.02% FS IN 30 MINUTES.
13. COMPENSATED TEMPERATURE RANGE: -10°C TO +40°C.
14. TEMPERATURE EFFECT ON ZERO: ±0.0027% FS/°C.
15. TEMPERATURE EFFECT ON OUTPUT: ±0.0015% FS/°C.
16. INSULATION RESISTANCE: 5000 MEGOHMS.
17. LOAD CELL CABLE: 4-26AWG, Ø3.8MM, PVC, 20FT.
18. LOAD CELL WIRING:
 GRN (+EXC)
 BLK (-EXC)
 WHT (-SIG)
 RED (+SIG)
 BRAID/YELLOW: SHIELD
19. FM APPROVED.



RATED CAPACITY	DIMENSIONS											
	A	B	C	D	E	F	G	H	I	J	K	L
250KG - 1250KG	4.75	1.00	1.00	1.00	0.75	2.50	0.43	0.62	0.88	0.37	0.38	M12x1.75

DO NOT ALTER WITHOUT AGENCY NOTIFICATION

COTI GLOBAL SENSORS, INC.

**CG - HMT
LOAD CELL**

<p>THIS DRAWING USES THIRD ANGLE PROJECTION</p> <p>THIS DOCUMENT CONTAINS PROPRIETARY INFORMATION AND SUCH INFORMATION MAY NOT BE REPRODUCED OR DISCLOSED FOR ANY PURPOSE OR USED TO PRODUCE THE ARTICLE OR SUBJECT WITHOUT WRITTEN PERMISSION FROM COTI GLOBAL SENSORS, INC.</p>	<p>TOLERANCES UNLESS OTHERWISE SPECIFIED</p> <p>.XX = ±0.02" .XXX = ±0.005" .XXXX = ±0.0002" FRACTIONS: ±1/16" ANGLES DEC: ±1/8"</p>	APPROVALS		DATE	<p>SCALE</p> <p>NONE</p>	<p>SIZE</p> <p>B</p>	<p>PART/DRAWING NO.</p> <p>DOD-CG-HMT</p>	<p>REV.</p> <p>A</p>
		DRAWN:	RLU	06/16/15				
		CHECKED:	AA	06/16/15				
		ENGINEER:	JSP	06/16/15				
		APPROVED:	AA	06/16/15				
MATERIAL:	STAINLESS STEEL		MODEL	CG-HMT	SHEET	1 OF 1		
FINISH:	PASSIVATED							