



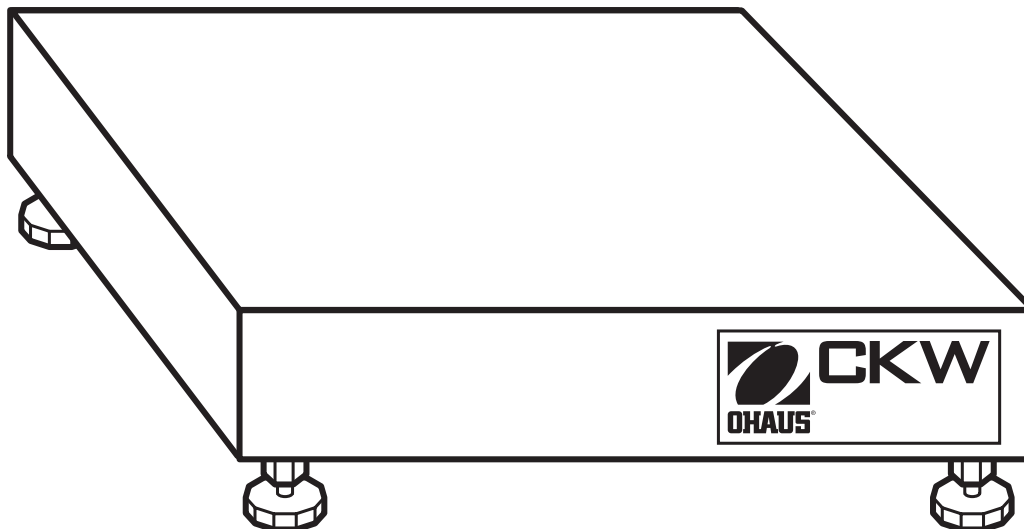
**CKW BASE
INSTRUCTION MANUAL**

**BASE CKW
MANUAL DE INSTRUCCIONES**

**BASE CKW
MANUEL D'INSTRUCTION**

**CKW-WÄGEBRÜCKE
BEDIENUNGSANLEITUNG**

**BASE CKW
MANUALE D'ISTRUZIONI**



Declaration of Conformity We, Ohaus Corporation, declare under our sole responsibility, that the CE marked scale base models listed below are in conformity with the following directives and standards when used in combination with a CE marked indicator produced by Ohaus Corporation.


Declaración de Conformidad. Nosotros, Ohaus Corporation, declaramos bajo nuestra exclusiva responsabilidad que los modelos de base de balanzas marcados con CE a continuación se ajustan a las siguientes normas y directrices cuando se usan en combinación con un indicador marcado CE, producido por Ohaus Corporation.

Déclaration de conformité Ohaus Corporation déclare et, ce faisant n'engage que la société, que les modèles de base de balance marqués CE et répertoriés ci-dessous sont conformes aux directives et aux normes lorsqu'ils sont utilisés avec un indicateur portant la maque CE et fabriqué par Ohaus Corporation.

Konformitätserklärung Wir, Ohaus Corporation, erklären in alleiniger Verantwortung, dass die unten aufgeführten mit der CE-Marke versehenen Waagenmodelle mit den nachfolgenden Richtlinien und Standards konform sind, wenn sie zusammen mit einem von der Ohaus Corporation hergestellten mit der CE-Marke versehenen Indikator verwendet werden.

Dichiarazione di conformità Ohaus Corporation, dichiara, sotto la propria responsabilità, che i modelli di base per bilancia marcati CE sottoelencati sono in conformità con le direttive e gli standard seguenti quando vengono utilizzati con un indicatore marcato CE prodotto da Ohaus Corporation.

Model/Type CKW3R, CKW6R, CKW15L, CKW30L
 Modelo/Tipo CKW3R, CKW6R, CKW15L, CKW30L
 Modèle/Type CKW3R, CKW6R, CKW15L, CKW30L
 Modell/Typ CKW3R, CKW6R, CKW15L, CKW30L
 Modello/Tipo CKW3R, CKW6R, CKW15L, CKW30L

EC Marking: Marcado EC Marquage CE EC-Markierung Marcature EC	EC Directive Directiva EC Directive CE EC Richtlinie Direttiva EC	Applicable Standards Normas aplicables Normes applicables Geltende Standards Standard applicabili
	EU 73/23/EEC Low Voltage Baja tensión Basse tension Niederspannung Bassa tensione	EN60950-1: 2003
	89/336/EEC Electromagnetic compatibility Compatibilidad electromagnética Compatibilité électromagnétique Elektromagnetische Verträglichkeit Compatibilità elettromagnetica	EN61326-1:1997 +A1:1998 +A2: 2001

Date: October 1, 2004



Ted Xia
 President
 Ohaus Corporation
 Pine Brook, NJ USA







Urs Muller
 General Manager
 Ohaus Europe
 Greifensee, Switzerland

Compliance to the following standards is indicated by the corresponding marking on the product.
 El cumplimiento con los siguientes estándares se indica mediante el correspondiente marcado sobre el producto.

La conformité aux normes suivantes est indiquée par le marquage correspondant sur le produit.

Durch die entsprechende Markierung auf dem Produkt wird die Konformität mit den folgenden Normen angezeigt.

La marcatura sul prodotto indica l'aderenza alle normative seguenti.

Marking Marcado Marquage Markierung Marcature	Standard Estándar Normes Standards Standard
	UL60950-1 : 2003
	AS/NZS4251.1, AS/NZS4252.1
	NSF CRITERIA C-2-1983
	NSF/ANSI /3-A 14159-1 - 2002

ISO 9001 Registration

In 1994, Ohaus Corporation, USA, was awarded a certificate of registration to ISO 9001 by Bureau Veritus Quality International (BVQI), confirming that the Ohaus quality management system is compliant with the ISO 9001 standard's requirements. On May 15, 2003, Ohaus Corporation, USA, was re-registered to the ISO 9001:2000 standard.

Registro ISO 9001

En 1994, Bureau Veritus Quality International (BVQI) le otorgó a Ohaus Corporation, EE.UU., un certificado de registro ISO 9001 el cual confirma que el sistema administrativo de calidad de Ohaus cumple con los requerimientos del estándar ISO 9001. En mayo 15 del 2003, Ohaus Corporation, EE.UU., fue registrada nuevamente al estándar ISO 9001:2000.

Enregistrement ISO 9001

En 1994, le Bureau Veritus Quality International (BVQI) a octroyé la certification d'enregistrement ISO 9001 à Ohaus Corporation, États-Unis d'Amérique, confirmant que le système de gestion de la qualité Ohaus était conforme aux conditions normalisées de l'ISO 9001. Le 15 mai 2003, Ohaus Corporation, États-Unis d'Amérique, a été ré-enregistrée à la norme ISO 9001:2000.

Registrierung nach ISO 9001

Im Jahr 1994 wurde der Ohaus Corporation, USA, ein Zertifikat der Registrierung nach ISO 9001 vom Bureau Veritus Quality International (BVQI) verliehen, in dem bestätigt wird, dass das Ohaus-Qualitätsmanagementsystem den Anforderungen der Norm ISO 9001 entspricht. Am 15. Mai 2003 wurde die Ohaus Corporation, USA, gemäß der Norm ISO 9001:2000 neu registriert.

Registrazione ISO 9001

Nel 1994, Ohaus Corporation, USA, ha ricevuto il certificato di registrazione ISO 9001 da Bureau Veritus Quality International (BVQI), come conferma che il sistema di gestione della qualità Ohaus risponde alle caratteristiche standard di ISO 9001. Il 15 Maggio 2003, Ohaus Corporation, USA, è stata riregistrata per la normativa ISO 9001:2000.

1. INTRODUCTION

Thank you for purchasing a CKW Series product from Ohaus. Behind your purchase stands OHAUS, a leading manufacturer of precision Moisture Analyzers, Balances, Scales and Indicators. An Aftermarket Department with trained technicians is dedicated to provide you with the fastest service possible in the event your purchase requires servicing. OHAUS also has a Customer Service Department to answer any inquiries regarding applications and accessories.

This manual covers installation, operation and maintenance instructions for the Ohaus CKW Base. Please read this manual completely before installation and operation.

1.1. General Description

The Ohaus CKW Series is available as stand-alone scale bases or as complete weighing systems with the CKW-55 Indicator. The CKW Base is engineered for static checkweighing operations that also accommodates all types of weighing applications—from general purpose to washdown. With its easy-to-clean design to minimize food traps, food safety certification and rigid stainless steel construction, the CKW Base is ideally suited for years of use in harsh environments, and other wet-environment applications where sanitary requirements are high.

1.2 Features

- 4 Capacity Models: 3kg/6lb, 6kg/15lb, 15kg/30lb, 30kg/60lb
- 2 weighing pan sizes: 254 x 254mm (10" x 10") and 305 x 305mm (12" x 12")
- Resolutions: Maximum 1:6000 to 1:7500, Type-approved 1:3000
- Food Safety Certifications: NSF, USDA / AMS
- Supports HACCP compliance
- Stainless steel frame, pan and load cell (IP67 dust and water ingress protected)
- Adjustable non-slip rubber leveling feet with externally visible level indicator
- 6 rubber load pads and 6 down-stops for heavy-duty protection against shock and overload
- Manufactured under an ISO 9001 compliant quality system

1.3 Safety Precautions

For safe and dependable operation of this product, please comply with the following precautions:

- Operate the base only under ambient conditions specified in these instructions
- Ensure that the load cell cable does not pose an obstruction or tripping hazard
- Do not operate the base in hazardous environments or unstable locations
- Do not drop loads on the base
- Do not lift the base by the top plate; always lift from the bottom plate when moving the base
- Service should only be performed by authorized personnel

2. INSTALLATION

2.1 Unpacking

Unpack and inspect the product to make sure that all components have been included. The CKW Base package includes the following:

- CKW Base • Weighing Pan • Warranty Card • Instruction Manual

When purchased as a complete CKW scale, will also include:

- CKW-55 Indicator • Column Assembly

Check to ensure the product was not damaged during shipping. Immediately inform your OHAUS dealer in the unlikely event that you find damaged or missing parts.

Save the packaging material. Re-pack the product using original packaging materials to ensure safe storage or transport.

2.2 Assembly

2.2.1 Weighing Pan

Place the weighing pan securely over the rubber load pads on the top plate of the base (first ensure that all load pads are seated fully in their respective mounting holes).

2.2.2 Wiring Connections

Connect the load cell cable to an indicator using the wiring codes in Tables 2-1 and 2-2 below. Refer to the indicator manual for information about load cell connections, setup and calibration.

Note: When purchased as a CKW scale, the base is already pre-wired to the CKW-55 Indicator.

**TABLE 2-1. FOUR WIRE LOAD CELL CONNECTION
(CKW3R, 6R and 15L)**

Function	Wire Color
+ Excitation	Green
- Excitation	Black
+ Signal	Red
- Signal	White

**TABLE 2-2. SIX WIRE LOAD CELL CONNECTION
(CKW30L only)**

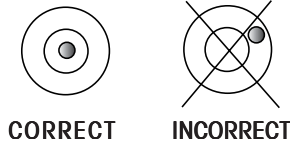
Function	Wire Color
+ Excitation	Green
- Excitation	Black
+ Signal	Red
- Signal	White
+ Sense	Blue
- Sense	Brown
Shield	Yellow

2.3 Selecting the Location

To ensure accuracy, proper performance and safety, locate and operate the base on a stable, level surface. Avoid locations with rapid temperature changes or excessive dust, air currents, vibrations, electromagnetic fields or heat.

Level the base by adjusting the four leveling feet until the bubble in the level indicator (located at the rear of the base) is centered. A wrench may be needed to loosen the locking nut above each leveling foot. When the base is level, retighten the locking nuts up against the base to lock each foot into place.

Note: Ensure that the base is level each time its location is changed.



3. MAINTENANCE

3.1 Cleaning

- The base components should be kept clean and free of excessive material build up.
- Avoid directly spraying the load cell with high-pressure water jets
- Water with a mild detergent may be used to clean the external and internal surfaces—do not use acids, alkalis, strong solvents or abrasive materials and chemicals
- The pan extends past the bottom plate to minimize entry of water or foreign material into the frame. As necessary, remove the pan to wipe or wash down the internal surfaces of the base.
- Removable components such as the weighing pan, leveling feet and rubber load pads (including column and CKW-55 Indicator when purchased as a scale system) may be removed and cleaned accordingly

3.2 Troubleshooting

Aside from installing components (Section 2.2) and leveling adjustments (Section 2.3), the CKW Base does not require any other adjustments as shipped from the factory.

Operational difficulties that may be encountered can often be traced to simple causes such as:

- Loose or incorrect wiring connections
- Obstructions to the weighing pan or base frame
- Unstable environments
- Incorrect calibration or setup of the indicator

If operational difficulties remain unresolved, contact your dealer or an authorized Ohaus Service Agent. Repairs should be made by authorized service personnel only.

For service assistance in the United States and Canada, you may call Ohaus Corporation toll free at (800) 526-0659 from 8 AM to 5 PM Eastern Time. An Ohaus Product Service Specialist will be available to help you.

4. TECHNICAL DATA

4.1 Drawings

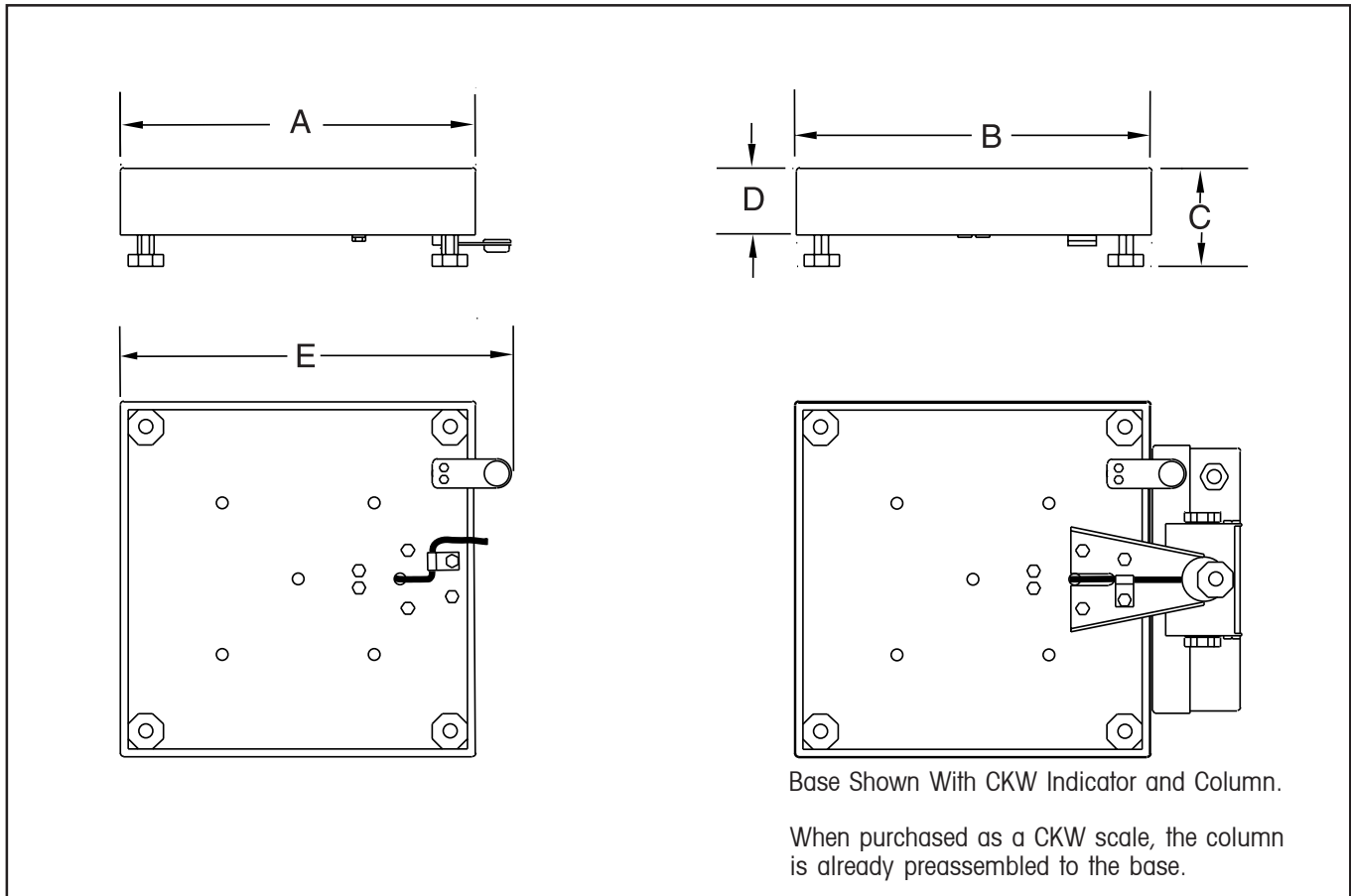


Figure 4-1. CKW Base Overall Dimensions.

4.2 Overall Dimensions

TABLE 4-1. DIMENSIONS.

Base	A	B	C	D	E
	Pan Depth	Pan Width	Height From Pan to Surface of Table*	Height of Pan	Depth Including Level Indicator
CKW3R, CKW6R	254 mm 10 in.	254 mm 10 in.	84 mm 3.3 in.	57.5 mm 2.26 in.	284.5 mm 11.20 in.
CKW15L	305 mm 12 in.	305 mm 12 in.	84 mm 3.3 in.	57.5 mm 2.26 in.	284.5 mm 11.20 in.
CKW30L	305 mm 12 in.	305 mm 12 in.	92 mm 3.6 in.	69.5 mm 2.74 in.	335.5 mm 13.21 in.

* For leveling purposes, the feet may be extended up to an additional 11 mm (0.43 in.).

4.3 Technical Specifications

BASE	CKW3R	CKW6R	CKW15L	CKW30L
Capacity (max) x Readability (d)	3 kg x 0.0005 kg 6 lb x 0.001 lb	6 kg x 0.001 kg 15 lb x 0.002 lb	15 kg x 0.002 kg 30 lb x 0.005 lb	30 kg x 0.005 kg 60 lb x 0.01 lb
Maximum Resolution	1:6000	1:7500	1:7500	1:6000
Capacity (max) x Approved Readability (e)	3 kg x 0.001 kg 6 lb x 0.002 lb	6 kg x 0.002 kg 5 lb x 0.005 lb	15 kg x 0.005 kg 30 lb x 0.01 lb	30 kg x 0.01 kg 60 lb x 0.02 lb
Approved Resolution (n max)	1:3000	1:3000	1:3000	1:3000
Linearity	1d	1d	1d	1d
Repeatability (standard deviation)	1d	1d	1d	1d
Pan Dimensions (W x D x H)	254 x 254 x 57.5 mm 10" x 10" x 2.26 in.		305 x 305 x 57.5 mm 12" x 12" x 2.26 in.	305 x 305 x 69.5 mm 12" x 12" x 2.74 in.
Construction	304 Stainless Steel with Non-slip Rubber Leveling Feet			
Leveling Component	Externally Visible Level Indicator and Adjustable Leveling Feet			
Load Cell Capacity	6 kg	10 kg	30 kg	50 kg
Load Cell Cable	1m / 3ft. L x 4-wire	1m / 3ft. L x 4-wire	1m / 3ft. L x 4-wire	2m / 6ft. L x 6-wire
Load Cell Type	350 ohm, full bridge, Stainless steel			
Load Cell Excitation	5 to 15V DC/AC			
Load Cell Rated Output	2 mV/V			
Load Cell Protection	IP67			
Operating Temperature Range	-10°C to 40°C / 14°F to 104°F			
Relative Humidity	10% to 90%, non-condensing			
Height above sea level	Up to 4000 m			
Safe Overload Capacity	150% of rated capacity			
Product Weight	5.1 kg / 11.24 lb	6.2 kg / 13.67 lb	8.3 kg / 18.30 lb	9.3 kg / 20.50 lb
Shipping Weight	7 kg / 15.43 lb	8.1 kg / 17.86 lb	10.3 kg / 22.71 lb	11.3 kg / 24.91 lb
Food Safety Certifications	NSF, USDA / AMS			
Legal For Trade/Type Approval	<ul style="list-style-type: none"> OIML: R60/2000-NL-02.14 / TC6046 r1 – 6, 10, 30 kg load cell R60/2000-NL1-03.24 / TC6120 r1 – 50 kg load cell 			

4.4 User-Replaceable Parts and Accessories

Part Number	Description
71170884	Pan, for CKW3R
71170885	Pan, for CKW6R
71170886	Pan, for CKW15L
71170887	Pan, for CKW30L
71170888	Rubber Load Pad, for Pan Support (Set of 6)
71170881	Leveling Foot (with locking nut)
71170126	Level Indicator Assembly (with mounting hardware)
71128010	Cable Clamp
71167972 ^{1,3}	Column Kit, for CKW-55, 229mm / 9" Fixed Height (All CKW Base models)
71154565 ^{1,2,3}	Column Kit, for CW-11, 350mm / 13.75" Fixed Height (All CKW Base models)
71154566 ^{1,2,3}	Column Kit, for CW-11, 680mm / 26.75" Fixed Height (CKW30L Base models only)
80251060 ^{2,3}	Column Adapter Kit, for connecting CW-11 column kits to CKW Bases

- Notes:**
- ¹ All column kits listed above are of stainless steel construction. The CKW-55 Column Kit maintains the food use sanitary ratings.
 - ² All CW-11 Column Kits require the Column Adapter Kit for proper connection to a CKW Base.
 - ³ If a column is later removed from the base, the original four bolts will need to be reinstalled at their original positions. This is required to maintain proper sanitary operation of the CKW base.

LIMITED WARRANTY

Ohaus products are warranted against defects in materials and workmanship from the date of delivery through the duration of the warranty period. During the warranty period Ohaus will repair, or, at its option, replace any component(s) that proves to be defective at no charge, provided that the product is returned, freight prepaid, to Ohaus.

This warranty does not apply if the product has been damaged by accident or misuse, exposed to radioactive or corrosive materials, has foreign material penetrating to the inside of the product, or as a result of service or modification by other than Ohaus. In lieu of a properly returned warranty registration card, the warranty period shall begin on the date of shipment to the authorized dealer. No other express or implied warranty is given by Ohaus Corporation. Ohaus Corporation shall not be liable for any consequential damages.

As warranty legislation differs from state to state and country to country, please contact Ohaus or your local Ohaus dealer for further details.

1. INTRODUCCIÓN

Gracias por comprar un producto de la serie CKW de Ohaus. Respaldo su compra se encuentra OHAUS, compañía líder en la fabricación de aparatos de precisión tales como analizadores de humedad, balanzas, básculas e indicadores. Contamos con un Departamento de Posventa que cuenta con técnicos entrenados, dedicado a suministrarle el servicio más rápido posible en caso de que su compra requiera mantenimiento. OHAUS también cuenta con un Departamento de Servicio al Cliente para responder a cualquier duda que pueda tener con respecto a aplicaciones y accesorios.

Este manual incluye las instrucciones de instalación, manejo y mantenimiento para la base CKW de Ohaus. Por favor lea este manual en su totalidad antes de instalar y manejar el aparato.

1.1. Descripción general

La Serie CKW de Ohaus viene disponible como bases independientes para básculas o como sistemas completos de pesaje, con el indicador CKW-55. La base CKW está diseñada para operaciones de pesaje estático, acomodando todo tipo de aplicaciones de pesaje, desde pesaje de tipo general hasta pesaje sujeto a lavado. Con su diseño fácil de limpiar, que minimiza la acumulación de alimentos, certificación de seguridad para alimentos y una sólida construcción en acero inoxidable, la base CKW es idealmente apropiada para años de uso en ambientes adversos y otro tipo de aplicaciones en ambientes húmedos donde los requerimientos de higiene son altos.

1.2 Características

- 4 Modelos de diferentes capacidades: 3kg/6lb, 6kg/15lb, 15kg/30lb, 30kg/60lb
- 2 Tamaños de bandejas para pesaje: 254 x 254mm (10" x 10") y 305 x 305mm (12" x 12")
- Resoluciones: máximo 1:6000 a 1:7500, tipo aprobado 1:3000
- Certificaciones de seguridad para alimentos: NSF, USDA / AMS
- Permite el cumplimiento de las normas HACCP
- Marco, bandeja y celda de carga de acero inoxidable (protección contra ingreso de polvo y agua categoría IP67)
- Pies de nivelación ajustables, de caucho antideslizante, con indicador de nivel visible desde afuera
- 6 Almohadillas de carga de caucho y 6 topes para protección de grueso calibre contra golpes y sobrecarga
- Fabricada según las normas de calidad ISO 9001

1.3 Precauciones de seguridad

Para un manejo seguro y confiable de este producto, por favor observar las siguientes precauciones:

- Usar la base sólo bajo las condiciones ambientales especificadas en estas instrucciones
- Asegurar que el cable de la celda de carga no represente una obstrucción o un peligro de tropiezo
- No usar la base en ambientes peligrosos o lugares inestables
- No dejar caer cargas sobre la base
- No levantar la base tomándola de la placa superior; cuando la mueva levántela siempre de la placa inferior
- El mantenimiento sólo debe ser realizado por personal autorizado

2. INSTALACIÓN

2.1 Desempaque

Desempacar e inspeccionar el producto para asegurar que se hayan incluido todos los componentes. El paquete de la base CKW incluye lo siguiente:

- Base CKW
- Bandeja de pesaje
- Tarjeta de garantía
- Manual de instrucciones

Cuando se compra como una báscula CKW completa, también incluirá:

- Indicador CKW-55
- Montaje de columna

Revisar para verificar que el producto no haya sido dañado durante el envío. En el extraño caso de que se encuentren partes dañadas o faltantes, informar inmediatamente a su distribuidor de OHAUS.

Guardar los materiales de empaque. Volver a empacar el producto en sus materiales originales de empaque para garantizar su almacenamiento o transporte seguros.

2.2 Montaje

2.2.1 Bandeja de pesaje

Asegurar la bandeja de pesaje sobre las almohadillas de carga de caucho en la placa superior de la base (primero verificar que todas las almohadillas de carga estén plenamente asentadas en sus respectivos agujeros de montaje).

2.2.2 Conexiones de cableado

Conectar el cable de la celda de carga a un indicador, usando los códigos de cableado que figuran en las Tablas 2-1 y 2-2 a continuación. Consultar el manual indicador para información sobre conexiones de celda de carga, ajuste y calibración.

Nota: Cuando se compra como una báscula CKW, la base ya viene cableada al indicador CKW-55.

TABLA 2-1. CONEXIÓN DE CELDA DE CARGA DE CUATRO CABLES (CKW3R, 6R y 15L)

FUNCIÓN	COLOR DEL CABLE
Excitación +	Verde
Excitación -	Negro
Señal +	Rojo
Señal -	Blanco

TABLA 2-2. CONEXIÓN DE CELDA DE CARGA DE SEIS CABLES (Sólo CKW30L)

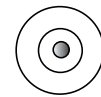
FUNCIÓN	COLOR DEL CABLE
Excitación +	Verde
Excitación -	Negro
Señal +	Rojo
Señal -	Blanco
Sentido +	Azul
Sentido -	Café
Protección	Amarillo

2.3 Selección de la ubicación

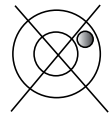
Para asegurar la precisión, el buen funcionamiento y la seguridad de la base, colocarla y usarla sobre una superficie estable y plana. Evitar lugares sujetos a cambios rápidos de temperatura, exceso de polvo, corrientes de aire, vibraciones, campos electromagnéticos o calor.

Nivelar la base ajustando los cuatro pies de nivelación hasta que la burbuja del indicador de nivel (ubicado en la parte posterior de la base) quede centrada. Se puede necesitar una llave para aflojar la tuerca de seguridad ubicada por encima de cada pie de nivelación. Cuando la base quede nivelada, volver a apretar las tuercas de seguridad hacia arriba contra la base para que cada pie quede bloqueado en su sitio.

Nota: Asegurar que la base quede nivelada cada vez que se cambie su ubicación.



CORRECTO



INCORRECTO

3. MANTENIMIENTO

3.1 Limpieza

- Los componentes de la base se deben mantener limpios y libres de acumulación de materiales.
- Evitar rociar la celda de carga con chorros directos de agua a presión.
- Se puede usar agua con un detergente suave para limpiar las superficies externas e internas; no usar ácidos, álcalis, solventes fuertes, ni materiales y químicos abrasivos.
- La bandeja se extiende más allá de la placa inferior, para minimizar la entrada de agua o materiales extraños al marco. Según se requiera, retirar la bandeja y limpiar o lavar las superficies internas de la base.
- Los componentes removibles, como la bandeja de pesaje, pies de nivelación y almohadillas de carga de caucho (incluyendo la columna y el indicador CKW-55 cuando se compra como un sistema de báscula) se pueden retirar y limpiar según sea necesario.

3.2 Solución de problemas

Además de la instalación de componentes (Sección 2.2) y los ajustes de nivelación (Sección 2.3), la Base CKW no requiere ningún otro ajuste posterior a los de fábrica.

Las dificultades de manejo que se puedan encontrar generalmente son por causas sencillas tales como:

- Conexiones de cableado flojas o incorrectas
- Obstrucciones de la bandeja de pesaje o del marco de la base
- Ambientes inestables
- Calibración incorrecta o ajuste incorrecto del indicador

Si existen dificultades de funcionamiento que permanecen sin resolver, consulte a su distribuidor o a un agente de servicio autorizado de Ohaus. Las reparaciones deben ser realizadas exclusivamente por personal de servicio autorizado.

Para asistencia de mantenimiento en los Estados Unidos y Canadá, puede llamar al teléfono gratuito de Ohaus Corporation, al (800) 526-0659 de 8 AM a 5 PM, huso horario del este. Un especialista en mantenimiento de productos de Ohaus estará disponible para ayudarle.

4. INFORMACIÓN TÉCNICA

4.1 Dibujos

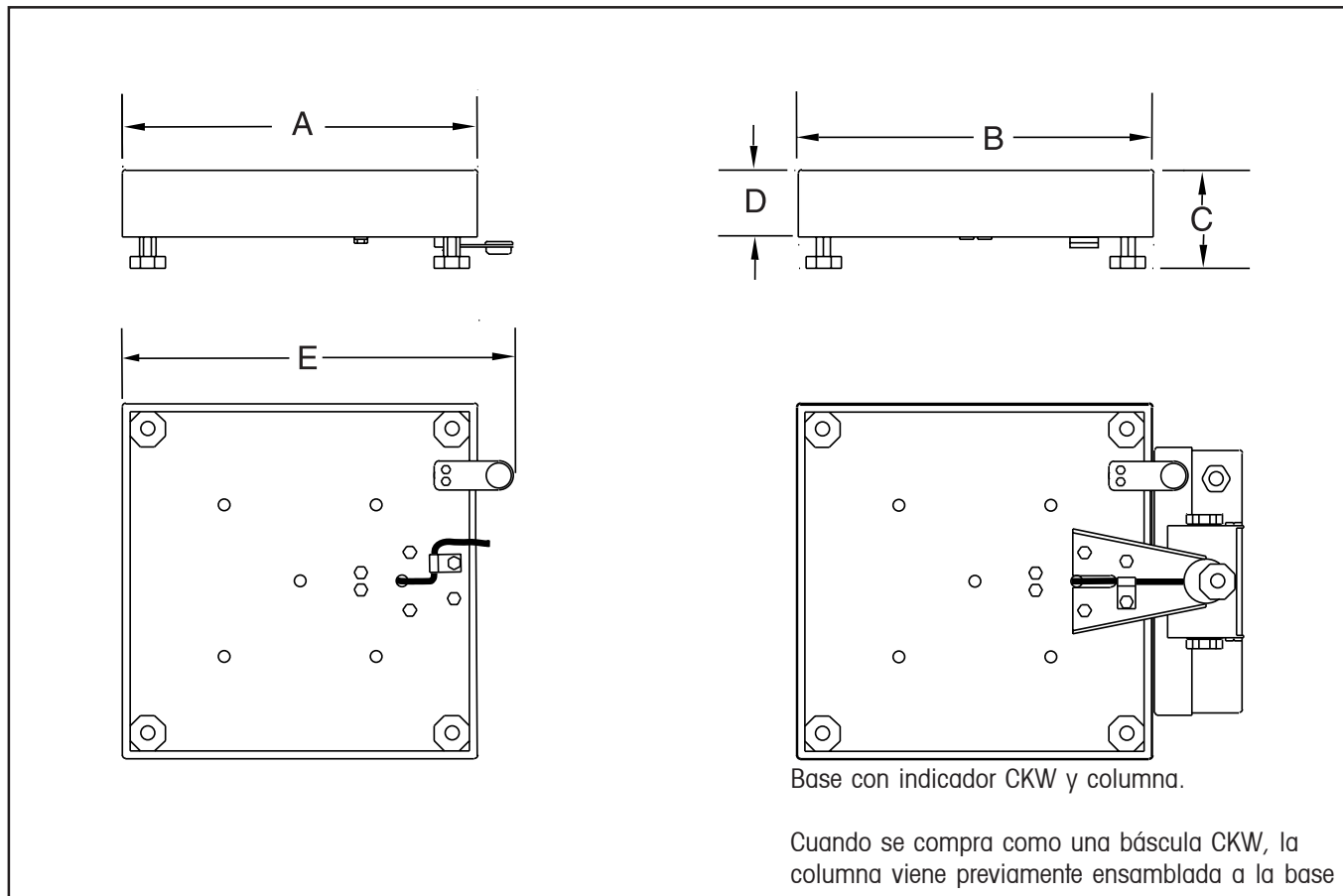


Figura 4-1. Dimensiones generales de la base CKW.

4.2 Dimensiones generales

TABLA 4-1. DIMENSIONES.

Base	A	B	C	D	E
	Profundidad de la bandeja	Ancho de la bandeja	Altura de la bandeja hasta la superficie de la mesa*	Altura de la bandeja	Profundidad incluyendo indicador de nivel
CKW3R, CKW6R	254 mm 10 in.	254 mm 10 in.	84 mm 3,3 in.	57,5 mm 2,26 in.	284,5 mm 11,20 in.
CKW15L	305 mm 12 in.	305 mm 12 in.	84 mm 3,3 in.	57.5 mm 2,26 in.	284,5 mm 11,20 in.
CKW30L	305 mm 12 in.	305 mm 12 in.	92 mm 3,6 in.	69,5 mm 2,74 in.	335,5 mm 13,21 in.

* Con el fin de nivelar la base, los pies se pueden extender 11 mm (0.43") adicionales.

4.3 Especificaciones técnicas

BASE	CKW3R	CKW6R	CKW15L	CKW30L
Capacidad (máx.) x lectura (d)	3 kg x 0,0005 kg 6 lb x 0,001 lb	6 kg x 0,001 kg 15 lb x 0,002 lb	15 kg x 0,002 kg 30 lb x 0,005 lb	30 kg x 0,005 kg 60 lb x 0,01 lb
Resolución máxima	1:6000	1:7500	1:7500	1:6000
Capacidad (máx.) x lectura aprobada (e)	3 kg x 0,001 kg 6 lb x 0,002 lb	6 kg x 0,002 kg 5 lb x 0,005 lb	15 kg x 0,005 kg 30 lb x 0,01 lb	30 kg x 0,01 kg 60 lb x 0,02 lb
Resolución aprobada (n máx.)	1:3000	1:3000	1:3000	1:3000
Linealidad	1d	1d	1d	1d
Repetibilidad (desviación estándar)	1d	1d	1d	1d
Dimensiones de la bandeja (A x H x L)	254 x 254 x 57,5 mm 10" x 10" x 2,26 in.		305 x 305 x 57,5 mm 12" x 12" x 2,26 in.	305 x 305 x 69,5 mm 12" x 12" x 2,74 in.
Construcción	Acero inoxidable 304 con pies niveladores de caucho antideslizante			
Componente de nivelación	Indicador de nivel visible desde afuera y pies de nivelación ajustable			
Capacidad de la celda de carga	6 kg	10 kg	30 kg	50 kg
Cable de la celda de carga	1m / 3 pies L x 4-alambres	1m / 3 pies L x 4-alambres	1m / 3 pies L x 4-alambres	2m / 6 pies L x 6-alambres
Tipo de celda de carga	350 ohmios, puente completo, acero inoxidable			
Excitación de celda de carga	5 a 15V CD/CA			
Salida nominal de celda de carga	2 mV/V			
Protección de celda de carga	IP67			
Rango de temperaturas de operación	-10°C a 40°C / 14°F a 104°F			
Humedad relativa	10% a 90%, no condensante			
Altura sobre el nivel del mar	Hasta 4000 m			
Capacidad de sobrecarga segura	150% de la capacidad nominal			
Peso del producto	5,1 kg / 11,24 lb	6,2 kg / 13,67 lb	8,3 kg / 18,30 lb	9,3 kg / 20,50 lb
Peso de envío	7 kg / 15,43 lb	8,1 kg / 17,86 lb	10,3 kg / 22,71 lb	11,3 kg / 24,91 lb
Certificaciones de seguridad para alimentos	NSF, USDA / AMS			
Autorización para comercio/ Tipo de aprobación	<ul style="list-style-type: none"> OIML: Celda de carga R60/2000-NL-02.14 / TC6046 r1 – 6, 10, 30 Kg. Celda de carga R60/2000-NL1-03.24 / TC6120 r1 – 50 Kg 			

4.4 Partes y accesorios reemplazables por el usuario

Número de parte	Descripción
71170884	Bandeja, para CKW3R
71170885	Bandeja, para CKW6R
71170886	Bandeja, para CKW15L
71170887	Bandeja, para CKW30L
71170888	Almohadilla de carga de caucho, para apoyo de la bandeja (juego de 6)
71170881	Pie nivelador (con tuerca de seguridad)
71170126	Montaje de indicador de nivel (con accesorios de montaje)
71128010	Abrazadera de cable
71167972 ^{1,3}	Juego de columna, para CKW-55, 229mm / 9" Altura fija (Todos los modelos de base CKW)
71154565 ^{1,2,3}	Juego de columna, para CW-11, 350mm / 13.75" Altura fija (Todos los modelos de base CKW)
71154566 ^{1,2,3}	Juego de columna, para CW-11, 680mm / 26.75" Altura fija (Sólo modelos de base CKW30L)
80251060 ^{2,3}	Juego adaptador de columna, para conectar juegos de columna CW-11 a bases CKW

- Notas:**
- ¹ Todos los juegos de columna que figuran arriba están hechos de acero inoxidable. El juego de columna CKW-55 mantiene las clasificaciones sanitarias de uso para alimentos.
 - ² Todos los juegos de columna CW-11 requieren el juego adaptador de columna para una conexión apropiada a una base CKW.
 - ³ Si posteriormente se retira una columna de la base, los cuatro tornillos originales se deben reinstalar en sus posiciones originales. Esto se requiere para mantener el funcionamiento sanitario apropiado de la base CKW.

GARANTÍA LIMITADA

Los productos Ohaus están garantizados contra defectos de materiales y mano de obra desde la fecha de entrega hasta la duración del periodo de garantía. Durante el periodo de garantía, Ohaus reparará, o a opción de Ohaus, reemplazará cualquier componente(s) que resulte defectuoso, sin cargo alguno, con la condición de que el producto sea devuelto a Ohaus con flete prepagado.

Esta garantía no se aplica en caso de que el producto haya sido dañado por accidente o mal uso, expuesto a sustancias radioactivas o corrosivas, si presenta material extraño penetrando en el interior del producto, o como resultado de un servicio o modificación hecha por otros que no sean de Ohaus. En lugar de una tarjeta de registro de garantía debidamente procesada, el periodo de garantía se iniciará en la fecha de envío al distribuidor autorizado. Ohaus Corporation no otorga ninguna otra garantía, expresa o implícita. Ohaus Corporation no será responsable por daños consecuentes.

Puesto que la legislación sobre garantías difiere entre estados y países, favor de comunicarse con su distribuidor Ohaus para mayor información.

1. INTRODUCTION

Nous vous remercions d'avoir acheté un produit de la série CKW d'Ohaus. Ce produit de qualité a été fabriqué par OHAUS, un des plus grands fabricants d'analyseur d'humidité, de balances, de balances et d'indicateurs. Un Service après-vente composé de techniciens qualifiés a pour mission de vous fournir le service le plus rapide au cas où votre produit ait besoin d'entretien. OHAUS possède également un Service clientèle chargé de répondre toutes les questions que vous pourriez vous poser sur les applications et les accessoires.

Ce guide contient des instructions d'installation, de fonctionnement et d'entretien pour la base CKW d'Ohaus. Veuillez lire toutes ces instructions avant l'installation et l'utilisation du produit.

1.1. Description générale

La série CKW d'Ohaus est disponible en bases de balance autonomes ou comme systèmes de pesage complet avec l'indicateur CKW-55. La base CKW a été conçue pour des opérations de pesée de contrôle statique pouvant accommoder tous les types d'application, de générale au lavage à grande eau. Structurée spécifiquement pour faciliter le nettoyage et réduire l'accumulation de nourriture, dotée d'un certificat de sécurité et d'une construction en acier inoxydable, la base CKW est idéale pendant des années dans des environnements extrêmes ainsi que pour toute application dans des environnements humides pour lesquels les conditions sanitaires sont très strictes.

1.2 Caractéristiques

- Modèles à 4 capacités : 3kg/6lb, 6kg/15lb, 15kg/30lb, 30kg/60lb
- 2 tailles de plateau de pesage : 254 x 254 mm (10 x 10 po) et 305 x 305mm (12 x 12 po)
- Résolutions : Maximum entre 1:6000 et 1:7500, type approuvé de 1:3000
- Certificats de sécurité alimentaire : NSF, USDA / AMS
- Prise en charge de HACCP
- Structure, plateau et cellule de pesage (protection IP67 contre l'intrusion de la poussière et de l'eau) en acier inoxydable
- Pieds de nivellement caoutchoutés réglables, anti-dérapants avec indicateur de niveau visible sur l'extérieur
- 6 coussinets de charge caoutchoutés et 6 butées en aval pour une protection renforcée contre choc et surcharge
- Fabriqué conformément à la norme de qualité ISO 9001

1.3 Consignes de sécurité

Pour garantir un fonctionnement sécuritaire et fiable du produit, conformez-vous aux précautions suivantes :

- N'utilisez la base que dans les conditions ambiantes spécifiées dans les présentes instructions.
- Assurez-vous que le cordon de la cellule de charge ne représente pas d'obstacle potentiel ou de danger de chute.
- N'utilisez pas la base dans des environnements dangereux ou instables.
- Ne faites pas tomber de charge sur la base.
- Ne soulevez pas la base par la plaque supérieure mais toujours par la plaque inférieure lorsque vous devez déplacer la base.
- L'entretien doit être exécuté exclusivement par un personnel autorisé

2. INSTALLATION

2.1 Déballage

Déballer le produit et vérifiez que les composants suivants ont bien été inclus. L'emballage de la base CKW inclut :

- Base CKW
- Plateau de pesée
- Carte de garantie
- Guide de l'utilisateur

Lorsque vous achetez une balance CKW complète, elle doit inclure :

- Indicateur CKW-55
- Colonne

Assurez-vous que le produit n'a pas subi de dommage pendant le transport. Contactez immédiatement votre revendeur OHAUS dans le cas rare de pièces endommagées ou manquantes.

Conservez l'emballage. Réemballez le produit avec l'emballage initial pour garantir un transport et un stockage sécurisés du produit.

2.2 Assemblage

2.2.1 Plateau de pesée

Placez bien le plateau de pesée sur les coussinets de charge caoutchoutés sur la plaque supérieure de la balance (assurez-vous tout d'abord que les coussinets de charge sont bien logés dans leur orifice de montage respectif).

2.2.2 Connexions du câblage

Connectez le cordon de la cellule de pesage à un indicateur selon les codes de câblage des tableaux 2-1 et 2-2 ci-dessous. Reportez-vous au manuel de l'indicateur pour de plus amples informations sur les connexions, l'installation et l'étalonnage de la cellule de pesage.

Remarque : lorsque vous achetez la base comme une balance CKW, la base est pré-câblée à l'indicateur CKW-55.

TABLEAU 2-1. CONNEXION DE CELLULE DE PESAGE À QUATRE FIL (CKW3R, 6R et 15L)

FONCTION	COULEUR DES FILS
Excitation +	Vert
Excitation -	Noir
Signal +	Rouge
Signal -	Blanc

TABLEAU 2-2. CONNEXION DE CELLULE DE PESAGE À SIX FIL (CKW30L uniquement)

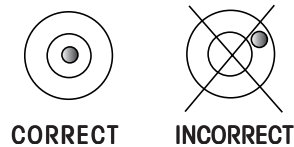
FONCTION	COULEUR DES FILS
Excitation +	Vert
Excitation -	Noir
Signal +	Rouge
Signal -	Blanc
Détection +	Bleu
Détection -	Marron
Protection	Jaune

2.3 Sélection de l'emplacement

Pour garantir la précision, la performance appropriée et la sécurité du produit, placez et utilisez la base sur une surface à niveau, stable. Évitez les emplacements avec des variations de température brusques ou de la poussière, des courants d'air, des vibrations, des champs électromagnétiques ou sources de chaleur excessives.

Mettez la base à niveau en réglant les quatre pieds de nivellement jusqu'à ce que la bulle de l'indicateur à niveau (situé à l'arrière de la base) soit centrée. Vous aurez peut-être besoin d'une clé pour desserrer l'écrou de verrouillage au-dessus de chaque pied de nivellement. Lorsque la base est à niveau, resserrez les écrous de verrouillage contre la base pour verrouiller les pieds jusqu'au blocage.

Remarque : assurez-vous que la base est à niveau chaque fois que vous la changez de place.



3. MAINTENANCE

3.1 Nettoyage

- Les composants de la base doivent toujours être propres et aucune accumulation de matériaux ne doit être présente.
- Évitez de pulvériser directement la cellule de pesage avec des jets d'eau à haute pression
- Vous pouvez utiliser de l'eau avec un détergent doux pour nettoyer les surfaces externes et internes. N'utilisez toutefois pas d'acides, d'alcalis, de solvants puissants ni de matériaux ou de produits chimiques abrasifs
- Le plateau peut être prolongé au-delà de la plaque inférieure pour réduire l'entrée de l'eau ou des matériaux étrangers dans la structure. Vous pouvez enlever le plateau pour essuyer ou laver à grande eau les surfaces internes de la base.
- Les composants amovibles tels que le plateau de pesée, les pieds de nivellement et les coussinets de charge caoutchoutés (y compris la colonne et l'indicateur CKW-55 lorsque vous achetez un système complet) peuvent être enlevés et nettoyés.

3.2 Dépannage

Outre l'installation des composants (Section 2.2) et les réglages de nivellement (Section 2.3), la base CKW ne requiert pas d'autres réglages et peut être utilisée telle quelle dès sa sortie de l'usine.

Les difficultés opérationnelles que vous pouvez rencontrer peuvent souvent être retracées à de simples causes telles que :

- Connexions de câblage desserrées ou incorrectes
- Obstructions au plateau de pesée ou à la structure de la base
- Environnements instables
- Étalonnage ou installation incorrecte de l'indicateur

Si les difficultés opérationnelles persistent, contactez votre concessionnaire ou un agent technique Ohaus agréé. Les réparations doivent être exécutées exclusivement par un personnel autorisé.

Pour toute assistance aux États-Unis et au Canada, prière de contacter Ohaus Corporation au numéro gratuit suivant (800) 526-0659 de 8h00 à 17h00 (Heure de New York). Un expert des produits Ohaus se tient à votre disposition pour répondre à vos questions.

4. DONNÉES TECHNIQUES

4.1 Schémas

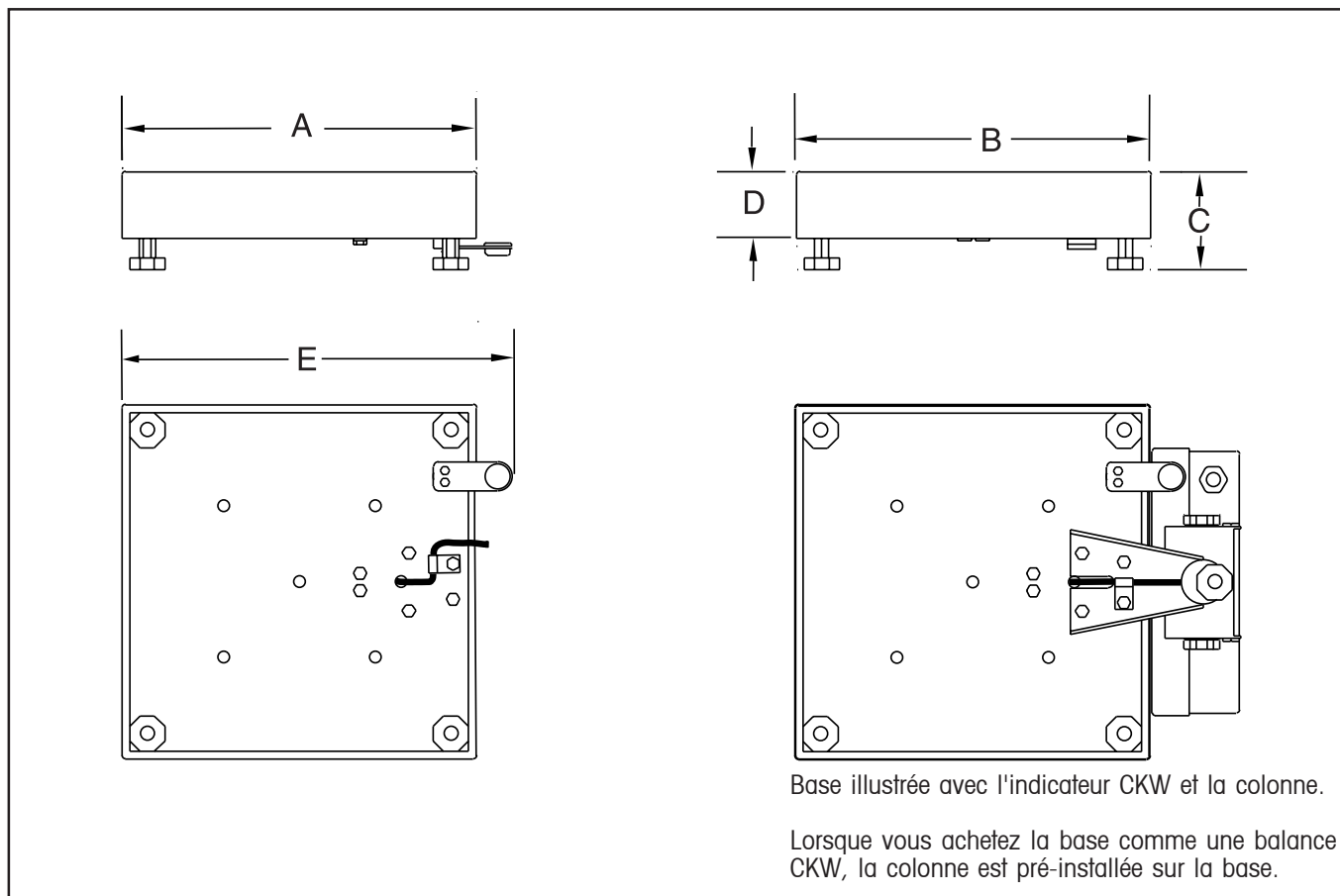


Figure 4-1. Dimensions hors-tout de la base CKW.

4.2 Dimensions hors-tout

TABLEAU 4-1. DIMENSIONS.

Base	A	B	C	D	E
	Profondeur du plateau	Largeur du plateau	Hauteur depuis le plateau à la surface de la table*	Hauteur du plateau	Profondeur incluse indicateur de nivellement
CKW3R, CKW6R	254 mm 10 po	254 mm 10 po	84 mm 3,3 po	57,5 mm 2,26 po	284,5 mm 11,20 po
CKW15L	305 mm 12 po	305 mm 12 po	84 mm 3,3 po	57,5 mm 2,26 po	284,5 mm 11,20 po
CKW30L	305 mm 12 po	305 mm 12 po	92 mm 3,6 po	69,5 mm 2,74 po	335,5 mm 13,21 po

* Pour permettre une meilleure mise à niveau, les pieds peuvent s'allonger de 11 mm (0,43 po).

4.3 Spécifications techniques

BASE	CKW3R	CKW6R	CKW15L	CKW30L
Capacité (max) x précision (d)	3 kg x 0,0005 kg 6 lb x 0,001 lb	6 kg x 0,001 kg 15 lb x 0,002 lb	15 kg x 0,002 kg 30 lb x 0,005 lb	30 kg x 0,005 kg 60 lb x 0,01 lb
Résolution maximale	1:6000	1:7500	1:7500	1:6000
Capacité (max) x précision approuvée (e)	3 kg x 0,001 kg 6 lb x 0,002 lb	6 kg x 0,002 kg 5 lb x 0,005 lb	15 kg x 0,005 kg 30 lb x 0,01 lb	30 kg x 0,01 kg 60 lb x 0,02 lb
Résolution approuvée (n max)	1:3000	1:3000	1:3000	1:3000
Linéarité	1d	1d	1d	1d
Reproductivité (écart type)	1d	1d	1d	1d
Dimensions plateau (Largeur x Profondeur x Hauteur)	254 x 254 x 57,5 mm 10" x 10" x 2,26 in.		305 x 305 x 57,5 mm 12" x 12" x 2,26 in.	305 x 305 x 69,5 mm 12" x 12" x 2,74 in.
Construction	Acier inoxydable 304 avec pieds de nivellement caoutchoutés anti-dérapants			
Composants de nivellement	Indicateur de niveau visible à l'extérieur et pieds de nivellement réglables			
Capacité de cellule de pesage	6 kg	10 kg	30 kg	50 kg
Câble de cellule de pesage	1 m / 3 pi L x 4 fils	1 m / 3 pi L x 4 fils	1 m / 3 pi L x 4 fils	2 m / 6 pi L x 6 fils
Type cellule de pesage	350 ohm, pont complet, acier inoxydable			
Excitation de cellule de pesage	5 à 15 V CC/CA			
Sortie nominale de cellule de pesage	2 mV/V			
Protection de cellule de pesage	IP67			
Plage de la température de fonctionnement	-10 °C à 40 °C / 14 °F à 104 °F			
Humidité relative	10% à 90%, non condensé			
Hauteur au-dessus du niveau de la mer	Jusqu'à 4000 m			
Capacité de surcharge sécurisée	150 % de la capacité nominale			
Poids du produit	5,1 kg / 11,24 lb	6,2 kg / 13,67 lb	8,3 kg / 18,30 lb	9,3 kg / 20,50 lb
Poids à l'expédition	7 kg / 15,43 lb	8,1 kg / 17,86 lb	10,3 kg / 22,71 lb	11,3 kg / 24,91 lb
Certificats de sécurité alimentaire	NSF, USDA / AMS			
Type d'approbations pour application légale à usage commercial :	<ul style="list-style-type: none"> OIML: R60/2000-NL-02.14 / TC6046 r1 – cellule de pesage de 6, 10, 30 kg R60/2000-NL1-03.24 / TC6120 r1 – cellule de pesage de 50 kg 			

4.4 Pièces et accessoires remplaçables par l'utilisateur

Référence	Description
71170884	Plateau, pour CKW3R
71170885	Plateau, pour CKW6R
71170886	Plateau, pour CKW15L
71170887	Plateau, pour CKW30L
71170888	Coussinet de charge caoutchouté, pour support plateau (jeu de 6)
71170881	Pied de nivellement (avec écrou de blocage)
71170126	Indicateur de niveau (avec matériel de montage)
71128010	Serre-câble
71167972 ^{1,3}	Kit de la colonne pour CKW-55, Hauteur fixe de 229 mm / 9 pi (tous les modèles de la base CKW)
71154565 ^{1,2,3}	Kit de la colonne pour CW-11, Hauteur fixe de 350 mm / 13,75 pi (tous les modèles de la base CKW)
71154566 ^{1,2,3}	Kit de la colonne pour CW-11, Hauteur fixe de 680 mm / 26,75 pi (modèles de la base CKW30L uniquement)
80251060 ^{2,3}	Kit adaptateur de la colonne, pour la connexion des kits de colonne CW-11 aux bases CKW

- Remarques:**
- ¹ Les kits de colonne indiqués ci-dessus sont en acier inoxydable. Le kit de colonne CKW-55 respecte la réglementation sanitaire pour les applications alimentaires.
 - ² Tous les kits de colonne CW-11 requièrent le kit adaptateur de la colonne pour garantir des connexions appropriées aux bases CKW.
 - ³ Si vous enlevez ensuite une colonne de la base, les quatre boulons initiaux doivent être réinstallés exactement à leur emplacement d'origine. Le fonctionnement sanitaire approprié de la base CKW en dépend.

GARANTIE LIMITÉE

Ohaus garantit que ses produits sont exempts de défauts matériels et de fabrication à compter de la date de livraison pendant toute la durée de la garantie. Selon les termes de cette garantie, Ohaus s'engage sans frais de votre part à réparer ou selon son choix, remplacer toutes les pièces déterminées défectueuses, sous réserve que le produit soit retourné, frais payés d'avance, à Ohaus.

Cette garantie n'entre pas en vigueur si le produit a subi des dommages suite à un accident ou une utilisation erronée, ait été exposé à des matériaux radioactifs ou corrosifs, contienne des matériaux étrangers ayant pénétré à l'intérieur ou suite à un service ou une modification apportée par des techniciens autres que Ohaus. À la place de la réception de la carte d'enregistrement de garantie dûment remplie, la période de garantie commence à la date de l'expédition au revendeur agréé. Aucune autre garantie expresse ou implicite n'est offerte par Ohaus Corporation. En aucun cas, Ohaus Corporation ne peut être tenu responsable des dommages indirects.

Dans la mesure où les lois régissant les garanties varient d'un état à l'autre et d'un pays à l'autre, veuillez contacter Ohaus ou votre représentant local agréé Ohaus pour de plus amples informations.

1. EINLEITUNG

Wir danken Ihnen, dass Sie ein Produkt der CKW Serie von Ohaus gekauft haben. Hinter dem von Ihnen gekauften Produkt steht OHAUS, ein führender Hersteller von Präzisionsfeuchtigkeitsanalysatoren, Waagen und Indikatoren. Die Abteilung Kundendienst mit ihren geschulten Instrumententechnikern liefert Ihnen garantiert den schnellstmöglichen Service, falls Ihr Gerät gewartet werden muss. Die OHAUS-Kundendienstabteilung steht Ihnen außerdem zur Beantwortung jeglicher Fragen hinsichtlich Anwendungen und Zubehörteilen zur Verfügung.

Dieses Handbuch enthält Anweisungen zur Installation, zum Betrieb und zur Wartung der Ohaus CKW-Wägebrücke. Bitte lesen Sie das Handbuch ganz durch, bevor Sie mit der Installation und dem Betrieb beginnen.

1.1. Allgemeine Beschreibung

Die Ohaus CKW Serie steht als unabhängige Wägebrücke oder als komplettes Wiegesystem mit dem CKW-55 Indikator zur Verfügung. Die CKW-Wägebrücke ist für den statischen Kontrollwiegebetrieb konzipiert, der auch andere Arten von Wiegeanwendungen zulässt – von Allzweck- bis zu Spritzwasseranwendungen. Die CKW-Wägebrücke eignet sich, aufgrund ihres leicht zu reinigenden Designs, das nur minimale Möglichkeiten zur Ansammlung von Speiseresten bietet und dank ihrer Zulassung zur Verwendung mit Nahrungsmitteln sowie dank ihrer stabilen Edelstahlkonstruktion ideal für einen jahrelangen Einsatz in rauen Umgebungen bzw. für Nassumgebungsanwendungen mit hohen sanitären Anforderungen.

1.2 Leistungsmerkmale

- 4 Modelle mit verschiedenen Kapazitäten: 3 kg/6 lb, 6 kg/15 lb, 15 kg/30 lb, 30 kg/60 lb
- 2 Wägeschalengrößen: 254 x 254 mm (10" x 10") und 305 x 305 mm (12" x 12")
- Auflösungen: Maximum 1:6000 bis 1:7500, Typenzulassung 1:3000
- Nahrungsmittelsicherheitszulassungen: NSF, USDA / AMS
- unterstützt HACCP-Erfüllung
- Edelstahlrahmen, Schale und Einzelwägezelle (IP67 Schutz vor Staub- und Wassereindringen)
- Verstellbare rutschfeste Gummivellierfüße mit extern sichtbarem Level-Indikator
- 6 Gummilastplattenträger und 6 Stoßdämpfer zum Heavy-Duty-Schutz vor Schock und Überlastung
- Gemäß ISO 9001 Qualitätsstandard hergestellt.

1.3 Sicherheitsvorkehrungen

Zur Gewährleistung eines sicheren und zuverlässigen Betriebs, halten Sie sich bitte an folgende Vorsichtshinweise:

- Die Wägebrücke nur betreiben, wenn die in diesen Anleitungen angegebenen Umgebungsbedingungen erfüllt sind.
- Sicherstellen, dass das Wägeschalenkabel kein Hindernis und kein Stolperrisiko darstellt.
- Die Wägebrücke nicht in gefährlichen Umgebungen oder an instabilen Orten betreiben.
- Die Lasten nicht auf die Wägebrücke fallen lassen.
- Die Wägebrücke nicht an der oberen Platte anheben; beim Umstellen der Wägebrücke immer an der unteren Platte anheben.
- Reparaturen sollten nur von dazu befugtem Personal durchgeführt werden

2. INSTALLATION

2.1 Auspacken

Das Produkt auspacken und prüfen, ob alle Komponenten mitgeliefert wurden. Das CKW-Wägebrückenpaket enthält Folgendes:

- CKW-Wägebrücke
- Wägeschale
- Garantiekarte
- Bedienungsanleitung

Bei Kauf einer kompletten CKW-Waage sind folgende Teile ebenfalls inbegriffen:

- CKW-55 Indikator
- Stativ

Prüfen, ob das Produkt während des Versands beschädigt wurde. Informieren Sie sofort Ihren OHAUS-Händler, falls Teile beschädigt sind oder fehlen.

Heben Sie das Verpackungsmaterial auf. Verpacken Sie das Produkt wieder in der Originalverpackung, um sichere Lagerung und sicheren Transport zu gewährleisten.

2.2 Zusammenbau

2.2.1 Wägeschale

Die Wägeschale auf die Gummilastplattenträger auf der oberen Platte der Wägebrücke stellen (nachdem sichergestellt wurde, dass alle Lastplattenträger ordnungsgemäß in ihren Montagelöchern sitzen).

2.2.2 Verdrahtungsanschlüsse

Das Wägezellenkabel gemäß den Verdrahtungscodes aus Tabelle 2-1 und 2-2 nachstehend am Indikator anschließen. Das Indikatorhandbuch enthält Hinweise zum Anschließen, Einrichten und Kalibrieren der Wägezelle.

Hinweis: Beim Kauf als eine CKW-Waage, ist die Wägebrücke bereits am CKW-55 Indikator angeschlossen.

**TABELLE 2-1. ANSCHLUSS DER VIER DRÄHTE
DER WÄGEZELLE (CKW3R, 6R und 15L)**

FUNKTION	DRAHTFARBE
+Erregung	Grün
- Erregung	Schwarz
+ Signal	Rot
- Signal	Weiß

**TABELLE 2-2. ANSCHLUSS DER SECHS DRÄHTE
DER WÄGEZELLE (nur CKW30L)**

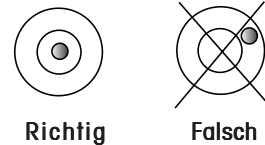
FUNKTION	DRAHTFARBE
+Erregung	Grün
- Erregung	Schwarz
+ Signal	Rot
- Signal	Weiß
+ Sense	Blau
- Sense	Braun
Shield	Gelb

2.3 Standort auswählen

Zur Gewährleistung von Wägegenauigkeit, ordnungsgemäßer Leistung und Sicherheit, die Wägebrücke auf einer stabilen, ebenen Fläche aufstellen und betreiben. Zu vermeiden sind Standorte mit plötzlichen Temperaturveränderungen oder übermäßiger Staubentwicklung, Luftströmungen, Vibrationen, elektromagnetischen Feldern oder Wärmequellen.

Die Wägebrücke mithilfe der vier Nivellierfüße gerade ausrichten, sodass der Level-Indikator (hinten an der Wägebrücke) zentriert ist. Die Sicherungsmutter an den Nivellierfüßen muss möglicherweise mit einem Schraubenschlüssel gelockert werden. Wenn die Wägebrücke gerade steht, die Sicherungsmuttern festziehen, um die Füße zu sichern.

Hinweis: Das Instrument sollte jedes Mal nivelliert werden, wenn es an einem anderen Standort aufgestellt wird.



Richtig

Falsch

3. WARTUNG

3.1 Reinigung

- Die Wägebrücke muss sauber und frei von übermäßiger Materialansammlung gehalten werden.
- Den Hochdruckwasserstrahl nicht direkt auf die Wägezelle richten.
- Zum Reinigen der Außen- und Innenflächen kann Wasser mit mildem Waschmittel verwendet werden – keine Säuren, Alkalilösungen, starke Lösungsmittel oder Scheuermittel und Chemikalien verwenden.
- Die Schale steht über die untere Platte hinaus, um das Eindringen von Wasser oder Fremdkörpern in den Rahmen auf ein Minimum zu beschränken. Die Schale ggf. abnehmen, um die Wägebrücke innen abzuwischen oder abzuwaschen.
- Alle abnehmbaren Teile, wie z.B. die Wägeschale, Nivellierfüße und Gummilastplattenträger (inkl. Stativ und CKW-55 Indikator, bei Kauf als Waage), können entfernt und entsprechend gereinigt werden.

3.2 Fehlersuche

Abgesehen von der Installation der Geräteteile (Abschnitt 2.2) und der Nivellierung (Abschnitt 2.3) verlangt die CKW-Wägebrücke, so wie sie geliefert wird, keine weiteren Einstellungen.

Probleme mit dem Betrieb lassen sich meistens auf folgende einfache Ursachen zurückführen:

- Lockere oder falsche Anschlüsse
- Behinderung der Wägeschale oder des Wägebrückenrahmens
- Instabile Umgebungen
- Falsche Kalibrierung oder falsche Einrichtung des Indikators

Lassen sich die Probleme nicht lösen, wenden Sie sich bitte an den Händler oder den autorisierten Ohaus-Kundendienst. Reparaturen sollten nur von dazu befugtem Personal durchgeführt werden.

Wenn Sie in den Vereinigten Staaten und Kanada Hilfe benötigen, rufen Sie bitte Ohaus Corporation unter folgender gebührenfreier Nummer an: (800) 526-0659. Bürozeiten: 8 Uhr bis 17 Uhr EST (US-Ostenküstenzeit). Ein Produktservice-Spezialist von Ohaus wird Ihnen dann weiterhelfen.

4. TECHNISCHE DATEN

4.1 Zeichnungen

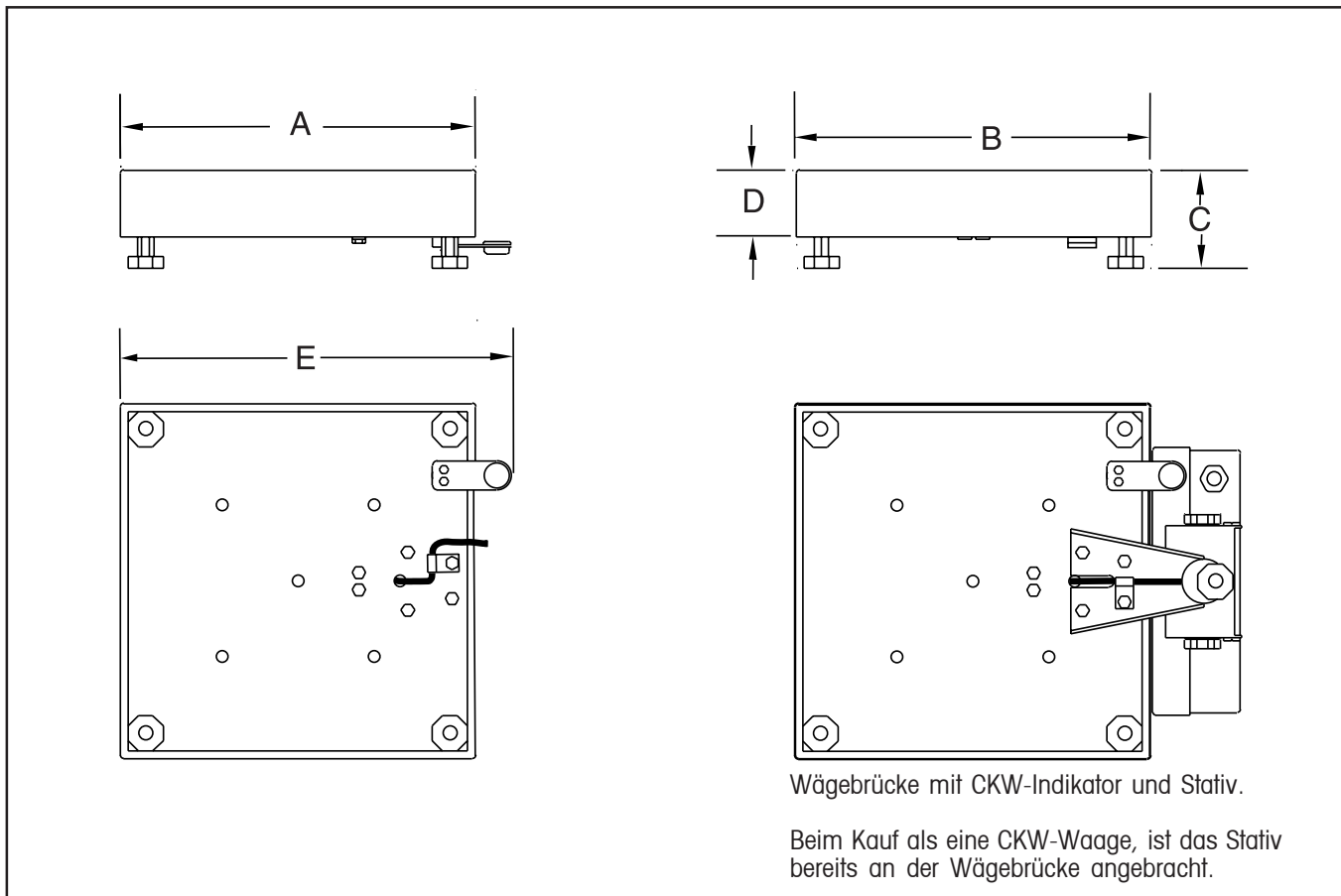


Abbildung 4-1. CKW-Wägebrücke – Allgemeine Abmessungen.

4.2 Allgemeine Abmessungen

TABELLE 4-1. ABMESSUNGEN.

Wägebrücke	A	B	C	D	E
	Schalentiefe	Schalenbreite	Höhe über Schale zur Tischoberfläche*	Höhe der Schale	Tiefe inklusive Level-Indikator
CKW3R, CKW6R	254 mm 10 in.	254 mm 10 in.	84 mm 3.3 in.	57.5 mm 2.26 in.	284.5 mm 11.20 in.
CKW15L	305 mm 12 in.	305 mm 12 in.	84 mm 3.3 in.	57.5 mm 2.26 in.	284.5 mm 11.20 in.
CKW30L	305 mm 12 in.	305 mm 12 in.	92 mm 3.6 in.	69.5 mm 2.74 in.	335.5 mm 13.21 in.

* Die Füße können zu Nivellierungszwecken um maximal 11 mm (0,43 in.) herausgedreht werden.

4.3 Technische Daten

WÄGEBRÜCKE	CKW3R	CKW6R	CKW15L	CKW30L
Kapazität (max) x Ablesbarkeit (d)	3 kg x 0,0005 kg 6 lb x 0,001 lb	6 kg x 0,001 kg 15 lb x 0,002 lb	15 kg x 0,002 kg 30 lb x 0,005 lb	30 kg x 0,005 kg 60 lb x 0,01 lb
Maximale Auflösung	1:6000	1:7500	1:7500	1:6000
Kapazität (max) x zugelassene Ablesbarkeit (e)	3 kg x 0,001 kg 6 lb x 0,002 lb	6 kg x 0,002 kg 5 lb x 0,005 lb	15 kg x 0,005 kg 30 lb x 0,01 lb	30 kg x 0,01 kg 60 lb x 0,02 lb
Zugelassene Auflösung (n max)	1:3000	1:3000	1:3000	1:3000
Linearität	1d	1d	1d	1d
Wiederholbarkeit (Standardabweichung)	1d	1d	1d	1d
Schalenmaße (B x T x H)	254 x 254 x 57,5 mm 10" x 10" x 2,26 in.		305 x 305 x 57,5 mm 12" x 12" x 2,26 in.	305 x 305 x 69,5 mm 12" x 12" x 2,74 in.
Konstruktion	304 Edelstahl mit rutschfesten			
Gumminivellierfüßen Nivelliereteil	Extern einsehbarer Level-Indikator und verstellbare Nivellierfüße			
Wägezellenkapazität	6 kg	10 kg	30 kg	50 kg
Wägezellenkabel	1 m / 3 ft. L x 4-Draht	1 m / 3 ft. L x 4-Draht	1 m / 3 ft. L x 4-Draht	2 m / 6 ft. L x 6-Draht
Wägezellentyp	350 Ohm, volle Brücke, Edelstahl			
Wägezellen-Erregungsspannung	5 bis 15 V DC/AC			
Zulässige Ausgangsspannung der Wägezelle	2 mV/V			
Wägezellenschutz	IP67			
Betriebstemperaturbereich	-10 °C bis 40 °C / 14 °F bis 104 °F			
Relative Feuchte	10% bis 90%, nicht-kondensierend			
Höhe über dem Meeresspiegel	bis zu 4.000 m			
Sichere Überlastkapazität	150 % der zulässigen Kapazität			
Produktgewicht	5,1 kg / 11,24 lb	6,2 kg / 13,67 lb	8,3 kg / 18,30 lb	9,3 kg / 20,50 lb
Versandgewicht	7 kg / 15,43 lb	8,1 kg / 17,86 lb	10,3 kg / 22,71 lb	11,3 kg / 24,91 lb
Nahrungsmittelsicherheitszulassungen	NSF, USDA / AMS			
Eichpflichtig/Amtliche Zulassungen	<ul style="list-style-type: none"> • OIML: R60/2000-NL-02.14 / TC6046 r1 – 6, 10, 30 kg Wägezelle R60/2000-NL1-03.24 / TC6120 r1 – 50 kg Wägezelle 			

4.4 Vom Benutzer auswechselbare Teile und Zubehör

Teilenr.	Beschreibung
71170884	Schale für CKW3R
71170885	Schale für CKW6R
71170886	Schale für CKW15L
71170887	Schale für CKW30L
71170888	Gummilastplattenträger für Schalenträger (6er-Satz)
71170881	Nivellierfuß (mit Sicherungsmutter)
71170126	Level-Indikator (mit Montageteilen)
71128010	Kabelklemme
71167972 ^{1,3}	Stativ-Kit für CKW-55, 229 mm / 9" Feste Höhe (alle CKW-Wägebrückenmodelle)
71154565 ^{1,2,3}	Stativ-Kit für CW-11, 350 mm / 13,75" Feste Höhe (alle CKW-Wägebrückenmodelle)
71154566 ^{1,2,3}	Stativ-Kit für CW-11, 680 mm / 26,75" Feste Höhe (nur CKW30L-Wägebrückenmodelle)
80251060 ^{2,3}	Stativadapter-Kit zum Anschluss von CW-11-Stativ-Kits an CKW-Wägebrücken

- Hinweise:**
- ¹ Alle vorstehenden Stativ-Kits sind Edelstahlkonstruktionen. Das CKW-55 Stativ-Kit erfüllt die zur Verwendung mit Nahrungsmitteln erforderlichen sanitären Anforderungen.
 - ² Alle CW-11 Stativ-Kits setzen das Stativadapter-Kit zum ordnungsgemäßen Anschluss an eine CKW-Wägebrücke voraus.
 - ³ Wird ein Stativ später von der Wägebrücke entfernt, müssen die vier Originalschrauben wieder in ihre ursprünglichen Positionen eingeschraubt werden. Dies ist notwendig, um den ordnungsgemäßen sanitären Betrieb der CKW-Wägebrücke zu gewährleisten.

BESCHRÄNKTE GARANTIE

Auf Ohaus-Produkte wird ab Datum der Auslieferung über die Dauer des Garantiezeitraums hinweg eine Garantie gegen Material- und Herstellungsmängel gegeben. Während des Garantiezeitraums wird Ohaus kostenlos jegliche Komponente(n), die sich als defekt erweist (erweisen), reparieren oder nach eigenem Ermessen ersetzen, wenn das Produkt bei Vorauszahlung der Versandkosten an Ohaus zurückgeschickt wird.

Die Garantie gilt nicht, wenn das Produkt durch einen Unfall oder durch Missbrauch beschädigt wurde, wenn es radioaktiven oder korrodierenden Materialien ausgesetzt wurde, wenn Fremdkörper das Innere des Produkts durchdrungen haben oder wenn es auf Grund einer Reparatur oder Modifikation beschädigt wurde, die nicht von Ohaus durchgeführt wurde. Wenn keine ordnungsgemäß zurückgeschickte Garantie-registrierungskarte vorliegt, beginnt der Garantiezeitraum am Datum der Lieferung an den befugten Händler. Die Ohaus Corporation gibt keine sonstige ausdrückliche oder stillschweigende Garantie. Die Ohaus Corporation ist nicht für irgendwelche Folgeschäden haftbar.

Da die Gesetzgebung in Bezug auf Garantien von Bundesstaat zu Bundesstaat und von Land zu Land unterschiedlich ist, wenden Sie sich bitte an Ohaus oder Ihren örtlichen Ohaus-Händler, wenn Sie weitere Einzelheiten erfahren wollen.

1. INTRODUZIONE

Vi ringraziamo per aver acquistato un prodotto della serie CKW da Ohaus. A sostegno del vostro acquisto c'è OHAUS, un produttore leader di analizzatori di umidità, di bilancette e di indicatori. Un intero reparto di Assistenza post-vendita, con tecnici addestrati, è pronto a fornirvi il servizio d'assistenza più veloce possibile nel caso in cui il dispositivo acquistato avesse bisogno di manutenzione. Inoltre, OHAUS ha un Reparto Assistenza Clienti per rispondere a qualsiasi domanda relativa alle applicazioni e agli accessori.

Questo manuale fornisce le istruzioni d'installazione, di funzionamento e di manutenzione per la Base CKW Ohaus. Vi invitiamo a leggerlo completamente prima dell'installazione e dell'utilizzo.

1.1. Descrizione generale

La serie CKW Ohaus è disponibile come base per bilance indipendenti o come sistema di pesa completo con l'indicatore CKW-55. La base CKW è creata per le operazioni di pesa di controllo statica adatta anche a tutti i tipi di applicazioni di pesa – da generiche lavaggio. La base è creata per le operazioni di pesa di controllo statica adatte a tutti i tipi di applicazioni di pesa – da scopo generico a lavaggio. Con il suo design facile da pulire, in modo da minimizzare l'accumulo di particelle di cibo, la sua certificazione di sicurezza per alimenti e il modello in acciaio inossidabile, la Base CKW è adatta ad anni di utilizzo in ambienti difficili o per applicazioni in ambienti bagnati dove sono necessarie condizioni igieniche stringenti.

1.2 Caratteristiche

- 4 modelli con capacità diverse: 3kg/6lb, 6kg/15lb, 15kg/30lb, 30kg/60lb
- 2 dimensioni di vassoio di pesa: 254 x 254mm (10" x 10") e 305 x 305mm (12" x 12")
- Risoluzioni: Massimo da 1:6000 a 1:7500, approvato per tipo 1:3000
- Certificazioni di sicurezza per alimenti: NSF, USDA / AMS
- Supporta l'aderenza alle normative HACCP
- Telaio, vassoio e cella di carico in acciaio inossidabile (protezione contro ingresso di polvere e di acqua IP67)
- Piedini regolabili in gomma anti-scivolo con indicatore di livello esterno visibile
- 6 piattaforme di carico in gomma e 6 blocchi a discesa per protezione contro i colpi e contro il sovraccarico
- Prodotta secondo un sistema di qualità ISO 9001

1.3 Precauzioni di sicurezza

Per il funzionamento affidabile ed in sicurezza di questo prodotto, seguire le precauzioni seguenti:

- Utilizzare la base solo nelle condizioni ambientali specificate in queste istruzioni
- Assicurarsi che il cavo della cella di carico non presenti un'ostruzione o un pericolo
- Non utilizzare la base in ambienti pericolosi o in ubicazioni instabili
- Non far cadere carichi sulla base
- Non sollevare la base afferrandola per la piastra superiore, sollevarla sempre dalla piastra inferiore quando la si deve spostare
- La manutenzione deve essere eseguita soltanto da personale autorizzato

2. INSTALLAZIONE

2.1 Disimballo

Disimballare e controllare il prodotto per accertarsi che tutti i componenti siano stati spediti. La confezione della Base CKW comprende:

- Base CKW
- Vassoio di pesa
- Scheda di garanzia
- Manuale d'istruzioni

Quando viene acquistata come parte di una bilancia CKW completa, saranno compresi anche:

- Indicatore CKW-55
- Gruppo colonna

Verificare che il prodotto non sia stato danneggiato durante la spedizione. Informare immediatamente il vostro rivenditore OHAUS nel caso in cui fossero presenti parti danneggiate o se mancassero dei componenti.

Conservare il materiale d'imballaggio. Riconfezionare il prodotto utilizzando il materiale d'imballaggio originale per assicurarne la conservazione o il trasporto in sicurezza.

2.2 Montaggio

2.2.1 Vassoio di pesa

Mettere il vassoio di pesa sopra alle piattaforme di carico in gomma sulla piastra superiore della base (assicurarsi che tutte le piattaforme di carico siano fissate nei loro fori di montaggio).

2.2.2 Cablaggi

Collegare il cavo della cella di carico ad un indicatore utilizzando i codici di cablaggio elencati nelle Tavole 2-1 e 2-2 sotto riportati. Consultare l'indicatore manuale per le informazioni relative ai collegamenti, all'impostazione e alla taratura delle celle di carico.

Nota: Quando viene acquistata come base CKW, la base è già pre-cablata all'indicatore CKW-55.

**TAVOLA 2-1. COLLEGAMENTO A QUATTRO CAVI DELLA
CELLA DI CARICO (CKW3R, 6R e 15L)**

FUNZIONE	COLORE DEL CAVO
Attivazione +	Verde
Attivazione -	Nero
Segnale +	Rosso
Segnale -	Bianco

**TAVOLA 2-2. COLLEGAMENTO A SEI CAVI DELLA
CELLA DI CARICO (solo CKW30L)**

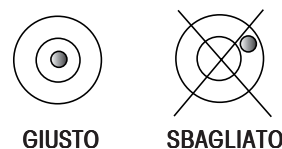
FUNZIONE	COLORE DEL CAVO
Attivazione +	Verde
Attivazione -	Nero
Segnale +	Rosso
Segnale -	Bianco
Rilevazione +	Blu
Rilevazione -	Marrone
Scudo	Giallo

2.3 Selezione dell'ubicazione

Per assicurarne l'accuratezza, il funzionamento corretto e la sicurezza, posizionare e utilizzare la base su una superficie stabile e in piano. Evitare posizioni dove vi sono cambiamenti di temperatura rapidi o dove siano presenti polveri, correnti d'aria, vibrazioni, campi elettromagnetici o calore eccessivo.

Regolare la base tramite i quattro piedini regolabili finché la bolla nell'indicatore di livello (che si trova sulla parte posteriore della base) si trova al centro. Potrebbe essere necessaria una chiave inglese per smollare il dado di blocco sopra ogni piedino regolabile. Quando la base si trova in piano, stringere nuovamente i dadi di blocco contro la base per bloccare ogni piedino in posizione.

Nota: Assicurarsi che la base sia in piano ogni volta che si muove da un posto ad un altro.



3. MANUTENZIONE

3.1 Pulizia

- I componenti della base devono essere mantenuti puliti e senza depositi eccessivi di materiale.
- Evitare di spruzzare la cella di carico con getti d'acqua ad alta pressione
- Per pulire le superfici esterne ed interne si può usare acqua con un detergente leggero – non usare acidi, alcali, solventi forti o prodotti chimici abrasivi
- Il vassoio si estende all'esterno della piastra inferiore per evitare che l'acqua o i materiali esterni entrino nel telaio. Se necessario, levare il vassoio per pulire o lavare le superfici interne della base.
- I componenti rimovibili come il vassoio di pesa, i piedini regolatori e le piattaforme di carico in gomma (tra cui la colonna e l'indicatore CKW-55 quando si è acquistato un sistema di bilancia) possono essere levati e puliti se necessario

3.2 Individuazione guasti

Ad esclusione dell'installazione dei componenti (Sezione 2.2) e della regolazione del livello (Sezione 2.3), la Base CKW non ha bisogno di altre regolazioni dopo la spedizione dalla fabbrica.

I problemi di funzionamento che si possono incontrare possono essere riconducibili a cause semplici, come:

- Cablaggi smollati o sbagliati
- Ostruzioni al vassoio di pesa o al telaio della base
- Ambienti instabili
- Taratura o impostazione sbagliata dell'indicatore

Se i problemi di funzionamento non si riescono a risolvere, mettersi in contatto con il rivenditore o con un agente Ohaus autorizzato. Le riparazioni vanno eseguite soltanto da personale autorizzato.

Per la manutenzione negli Stati Uniti o in Canada, chiamare Ohaus Corporation al numero verde (800) 526-0659 dalle 8 alle 17 ora dell'Est. Uno specialista dei prodotti Ohaus sarà lieto di assistervi.

4. DATI TECNICI

4.1 Disegni

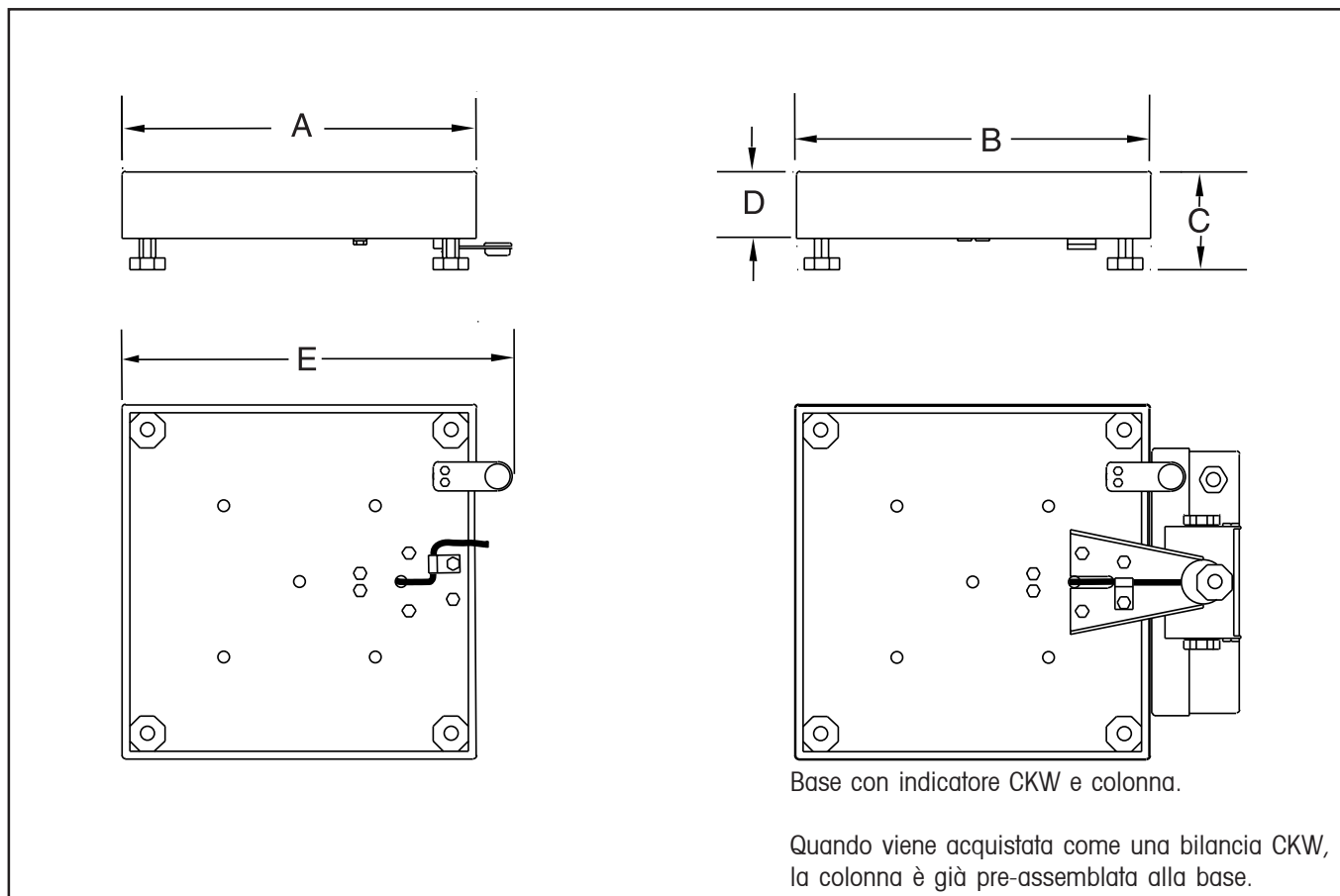


Figura 4-1. Dimensioni totali della Base CKW.

4.2 Dimensioni totali

TAVOLA 4-1. DIMENSIONI.

Base	A	B	C	D	E
	Profondità vassoio	Larghezza vassoio	Altezza dal vassoio alla superficie della tavola*	Altezza dal vassoio	Profondità compreso l'indicatore di livello
CKW3R, CKW6R	254 mm 10 in.	254 mm 10 in.	84 mm 3,3 in.	57,5 mm 2,26 in.	284,5 mm 11,20 in.
CKW15L	305 mm 12 in.	305 mm 12 in.	84 mm 3,3 in.	57,5 mm 2,26 in.	284,5 mm 11,20 in.
CKW30L	305 mm 12 in.	305 mm 12 in.	92 mm 3,6 in.	69,5 mm 2,74 in.	335,5 mm 13,21 in.

* Per il livellamento, i piedi possono essere estesi fino ad 11 mm (0,43 in.) ulteriori.

4.3 Specifiche tecniche

BASE	CKW3R	CKW6R	CKW15L	CKW30L
Capacità (max) x Leggibilità (d)	3 kg x 0,0005 kg 6 lb x 0,001 lb	6 kg x 0,001 kg 15 lb x 0,002 lb	15 kg x 0,002 kg 30 lb x 0,005 lb	30 kg x 0,005 kg 60 lb x 0,01 lb
Risoluzione massima	1:6000	1:7500	1:7500	1:6000
Capacità (max) x Leggibilità approvata (e)	3 kg x 0,001 kg 6 lb x 0,002 lb	6 kg x 0,002 kg 5 lb x 0,005 lb	15 kg x 0,005 kg 30 lb x 0,01 lb	30 kg x 0,01 kg 60 lb x 0,02 lb
Risoluzione approvata (n max)	1:3000	1:3000	1:3000	1:3000
Linearità	1d	1d	1d	1d
Ripetibilità (deviazione standard)	1d	1d	1d	1d
Dimensioni del vassoio (Largh. x Prof. x Alt.)	254 x 254 x 57,5 mm 10" x 10" x 2,26 in.		305 x 305 x 57,5 mm 12" x 12" x 2,26 in.	305 x 305 x 69,5 mm 12" x 12" x 2,74 in.
Costruzione	304 Acciaio inox con piedini di livellazione in gomma anti-scivolo			
Componenti di livellamento	Indicatore di livello visibile e piedini regolabili			
Capacità cella di carico	6 kg	10 kg	30 kg	50 kg
Cavo cella di carico	1m / 3ft. L x cavo a 4 fili	1m / 3ft. L x cavo a 4 fili	1m / 3ft. L x cavo a 4 fili	2m / 6ft. L x cavo a 6 fili
Tipo cella di carico	350 ohm, ponte completo, acciaio inox			
Attivazione cella di carico	da 5 a 15V DC/AC			
Uscita regolata cella di carico	2 mV/V			
Protezione cella di carico	IP67			
Gamma di temperatura di funzionamento	da -10°C a 40°C / da 14°F a 104°F			
Umidità relativa	da 10% a 90%, senza condensa			
Altitudine	Fino a 4000 m			
Capacità di sovraccarico in sicurezza	150% della capacità dichiarata			
Peso del prodotto	5.1 kg / 11.24 lb	6.2 kg / 13.67 lb	8.3 kg / 18.30 lb	9.3 kg / 20.50 lb
Peso di spedizione	7 kg / 15.43 lb	8.1 kg / 17.86 lb	10.3 kg / 22.71 lb	11.3 kg / 24.91 lb
Certificazioni di sicurezza per alimenti	NSF, USDA / AMS			
Approvazione Tipo/ Legale per il commercio	<ul style="list-style-type: none"> OIML: R60/2000-NL-02.14 / TC6046 r1 – ceta di carico da 6, 10, 30 kg R60/2000-NL1-03.24 / TC6120 r1 – cella di carico da 50 kg 			

4.4 Parti ed accessori sostituibili dall'utente

Numero parte	Descrizione
71170884	Vassoio per CKW3R
71170885	Vassoio per CKW6R
71170886	Vassoio per CKW15L
71170887	Vassoio per CKW30L
71170888	Piattaforma di carico in gomma, per supporto del vassoio (Gruppo di 6)
71170881	Piedino regolabile (con dado di blocco)
71170126	Gruppo indicatore di livello (con ferramenta di montaggio)
71128010	Ferma cavo
71167972 ^{1,3}	Corredo colonna, per CKW-55.229 mm / 9" Altezza fissa (Tutti i modelli Base CKW)
71154565 ^{1,2,3}	Corredo colonna, per CW-11.350 mm / 13,75" Altezza fissa (Tutti i modelli Base CKW)
71154566 ^{1,2,3}	Corredo colonna, per CW-11.680 mm / 26,75" Altezza fissa (Solo i modelli Base CKW30L)
80251060 ^{2,3}	Corredo adattatore colonna, per collegamento dei corredi colonna CW-11 alle Basi CKW

- Note:**
- ¹ Tutti i corredi colonna elencati sopra sono costruiti in acciaio inox. Il corredo colonna CKW-55 è approvato per uso con alimenti.
 - ² Tutti i corredi colonna CW-11 richiedono il corredo adattatore colonna per il collegamento corretto alla Base CKW.
 - ³ Se una colonna viene levata dalla base, i quattro bulloni originali devono essere reinstallati nella loro posizione originale. Questo in modo da poter mantenere il funzionamento igienico della base CKW.

GARANZIA LIMITATA

I prodotti Ohaus sono garantiti contro i difetti nei materiali e nella fabbricazione dalla data di consegna durante tutto il periodo di garanzia. Durante il periodo di garanzia, Ohaus riparerà o, a sua scelta, sostituirà tutti i componenti che siano difettosi, gratuitamente, purché il prodotto venga rinvioato, spedizione pagata, ad Ohaus.

Questa garanzia non è valida qualora il prodotto sia stato danneggiato per errore o per cattivo utilizzo, sia stato esposto a materiali radioattivi o corrosivi, abbia materiali esterni che siano penetrati all'interno, o sia stato modificato durante una manutenzione da personale non Ohaus. Nel caso in cui non ci fosse una scheda di registrazione, la garanzia inizierà dalla data di spedizione al rivenditore autorizzato. Ohaus Corporation non rilascia nessuna altra garanzia né dichiarata né implicita. Ohaus Corporation non sarà responsabile per eventuali danni consequenziali.

Poiché la legge varia da stato a stato e da paese a paese, mettersi in contatto con Ohaus o con il vostro rivenditore Ohaus locale per ulteriori particolari.



Ohaus Corporation
19A Chapin Road,
P.O. Box 2033
Pine Brook, NJ 07058-2033, USA
Tel: (973) 377-9000,
Fax: (973) 593-0359

With offices worldwide/Con oficinas alrededor del mundo/Avec des bureaux dans le monde entier/Weltweite Geshäftsstellen/
Con uffici in tutto il mondo.

www.ohaus.com



P/N 80251040 © Ohaus Corporation 2004, all rights reserved/todos los derechos reservados/tous droits réservés/Alle
Rechte vorbehalten/tutti i diritti riservati.

Printed in China/Impreso en la China/Imprimé en Chine/Gedruckt in China/Stampato in Cina