

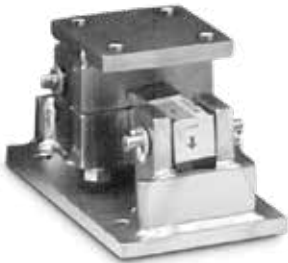
RL1600 Series SS

Stainless Steel Weigh Modules

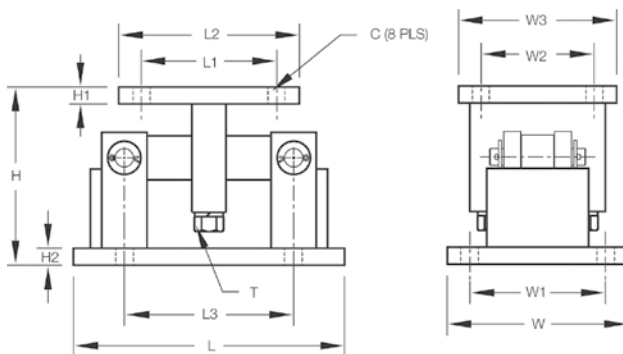


Available in configurations with three or four mounting assemblies.
Picture is a representation of actual product.

The RL1600 Series mounting module kit utilizes several Rice Lake Weighing Systems components to provide an unmatched level of performance in tank and hopper weighing applications. The RL1600 Series kit is ideally suited for indoor and outdoor process control operations in the medium-to-high-capacity ranges. Each module incorporates self-checking capabilities for thermal expansion and contraction.



Fabricated stainless steel module with RL75016 SS double-ended beam load cell.



Dimensions

Rated Capacity	C	H	H1	H2	L	L1	L2	L3	T	W	W1	W2	W3
lb/in													
1,000-5,000	0.56	5.00	0.50	0.50	9.25	2.75	4.00	6.25	1/2-13 UNC	5.00	3.75	2.75	4.00
10,000-25,000	0.78	7.87	0.75	0.75	12.00	6.00	8.00	7.50	3/4-10 UNC	8.00	6.00	6.00	8.00
50,000-75,000	0.78	9.25	1.00	1.00	16.25	6.50	9.00	11.50	1 1/4-7 UNC	12.00	9.50	6.50	9.00
kg/mm													
453.6-2,268.0	14.2	127.0	12.7	12.7	235.0	69.9	101.6	158.8	1/2-13 UNC	127.0	95.3	69.9	101.6
4,535.9-11,339.8	19.8	199.9	19.1	19.1	304.8	152.4	203.2	190.5	3/4-10 UNC	203.2	152.4	152.4	203.2
22,679.7-34,019.5	19.8	234.9	25.4	25.4	412.8	165.1	228.6	292.1	1 1/4-7 UNC	304.8	241.3	165.1	228.6

Complete Kit Includes

- One JB4SS NEMA Type 4X stainless steel signal trim junction box
- Three or four RL1600 stainless steel compression mounts
- Three or four RL75016 SS stainless steel double-ended shear beam load cells
- 25 ft of our hostile environment EL147HE SURVIVOR® load cell cable

Standard Features

- Capacities (per module): 1000-75,000 lb (453.6-34,019.5 kg)
- 304 stainless steel construction
- Self-checking, easy-to-use design allows module to be bolted directly to tank leg without requiring additional mounting plates or load buttons
- Environmentally protected load cells
- Double-ended shear beam design, center loaded

Optional Features

- Kits available with VPG Sensortronics 65016W SS load cells

Applications

- Medium-to heavy-capacity tanks, bins, and hoppers
- Bulk material management

Load Cell Certifications



Order Information

Load Rating (Per Module)		Part #	Price
Single Module (Does NOT Include Load Cell)			
1,000 lb-5,000 lb	453.6 kg-2,268.0 kg	17813	Consult
10,000 lb-25,000 lb	4,535.9 kg-11,339.8 kg	17815	Consult
50,000 lb	22,679.6 kg	17842	Consult
75,000 lb	34,019.5 kg	25347	Consult
3-Module Kit			
1,000 lb	453.6 kg	18141	Consult
1,500 lb	680.4 kg	18142	Consult
2,000 lb	907.2 kg	18143	Consult
2,500 lb	1,134.0 kg	18144	Consult
5,000 lb	2,268.0 kg	18145	Consult
10,000 lb	4,535.9 kg	18146	Consult
15,000 lb	6,803.9 kg	18147	Consult
20,000 lb	9,071.9 kg	18148	Consult
25,000 lb	11,339.8 kg	18149	Consult
50,000 lb	22,679.6 kg	18150	Consult
75,000 lb	34,019.5 kg	25352	Consult
4-Module Kit			
1,000 lb	453.6 kg	18152	Consult
1,500 lb	680.4 kg	18153	Consult
2,000 lb	907.2 kg	18154	Consult
2,500 lb	1,134.0 kg	18155	Consult
5,000 lb	2,268.0 kg	18156	Consult
10,000 lb	4,535.9 kg	18157	Consult
15,000 lb	6,803.9 kg	18158	Consult
20,000 lb	9,071.9 kg	18159	Consult
25,000 lb	11,339.8 kg	18160	Consult
50,000 lb	22,679.6 kg	18161	Consult
75,000 lb	34,019.5 kg	25353	Consult

VPG Scentroidrics 65016W Order Information

Load Rating (Per Module)		Part #	Price
3-Module Kit			
1,000 lb	453.6 kg	18213	Consult
1,500 lb	680.4 kg	18214	Consult
2,500 lb	1,134.0 kg	18216	Consult
5,000 lb	2,268.0 kg	18217	Consult
10,000 lb	4,535.9 kg	18218	Consult
15,000 lb	6,803.9 kg	18219	Consult
20,000 lb	9,071.9 kg	18220	Consult
25,000 lb	11,339.8 kg	18221	Consult
50,000 lb	22,679.6 kg	18222	Consult
75,000 lb	34,019.5 kg	25354	Consult
4-Module Kit			
1,000 lb	453.6 kg	18224	Consult
1,500 lb	680.4 kg	18225	Consult
2,500 lb	1,134.0 kg	18227	Consult
5,000 lb	2,268.0 kg	18228	Consult
10,000 lb	4,535.9 kg	18229	Consult
15,000 lb	6,803.9 kg	18230	Consult
20,000 lb	9,071.9 kg	18231	Consult
25,000 lb	11,339.8 kg	18232	Consult
50,000 lb	22,679.6 kg	18233	Consult
75,000 lb	34,019.5 kg	25355	Consult
Dummy Load Cells (Mild Steel)			
1,000 lb-5,000 lb	453.6 kg-2,268.0 kg	18236	Consult
10,000 lb-25,000 lb	4,535.9 kg-11,339.8 kg	18237	Consult
50,000 lb	22,679.6 kg	18238	Consult

Shims, Stainless

	Part #	Price
1,000 lb-5,000 lb		
0.0625	150852	Consult
0.125	150853	Consult
0.250	150854	Consult
10,000 lb-25,000 lb		
0.0625	150855	Consult
0.125	150856	Consult
0.250	150857	Consult
50,000 lb-75,000 lb		
0.0625	150858	Consult
0.125	150859	Consult
0.250	150861	Consult